

Priport
Model EM-D2
(C280)

PARTS CATALOG

First edition, March 2013

Ricoh Company, LTD.

Priport Model EM-D2 (C280)

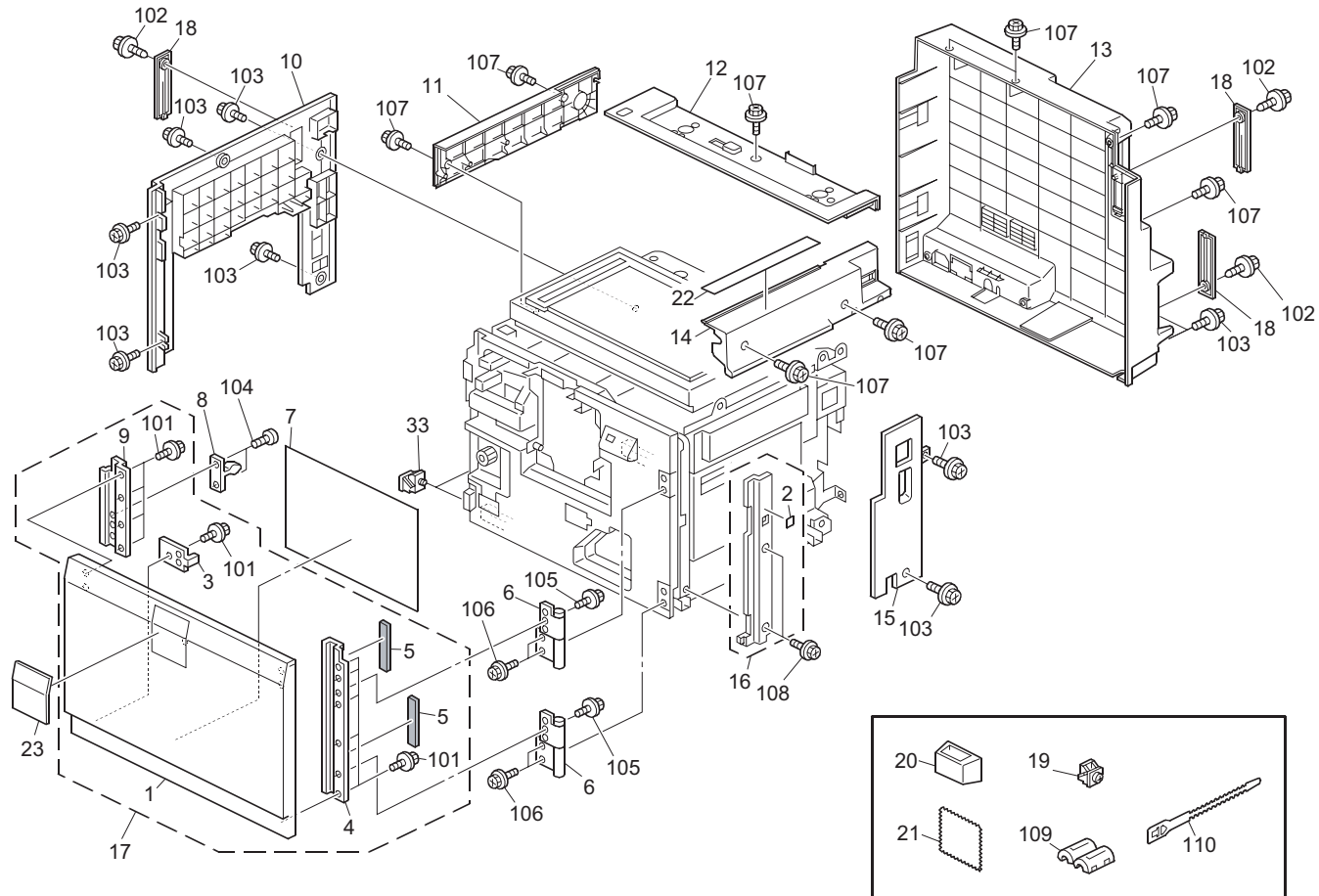
PARTS CATALOG

This catalog gives the numbers and names of parts on this machine.

1. Exterior 1	2	24. Drum Unit 2	48
2. Exterior 2	4	25. Drum Unit 3	50
3. Operation Panel	6	26. Drum Unit 4	52
4. Frame Section 1	8	27. Drum Unit 5	54
5. Frame Section 2	10	28. Scanner Unit 1	56
6. Frame Section 3	12	29. Scanner Unit 2	58
7. Drive Section 1	14	30. Scanner Unit 3	60
8. Drive Section 2	16	31. Plotter Unit 1	62
9. Drive Section 3	18	32. Plotter Unit 2	64
10. Drive Section 4	20	33. Plotter Unit 3	66
11. Paper Feed Section 1	22	34. Plotter Unit 4	68
12. Paper Feed Section 2	24	35. Plotter Unit 5	70
13. Paper Feed Section 3	26	36. Plotter Unit 6	72
14. Paper Feed Section 4	28	37. Master Eject 1	74
15. Paper Feed Section 5	30	38. Master Eject 2	76
16. Paper Feed Section 6	32	39. Master Eject 3	78
17. Pressure Cylinder 1	34	40. Paper Delivery Table	80
18. Pressure Cylinder 2	36	41. Electrical Section 1	82
19. Pressure Cylinder 3	38	42. Electrical Section 2	84
20. Paper Exit Section 1	40	43. Controller Board	86
21. Paper Exit Section 2	42	44. Decals and Documents	88
22. Paper Exit Section 3	44	PARTS INDEX	90
23. Drum Unit 1	46		

March 19, 2013

1.Exterior 1

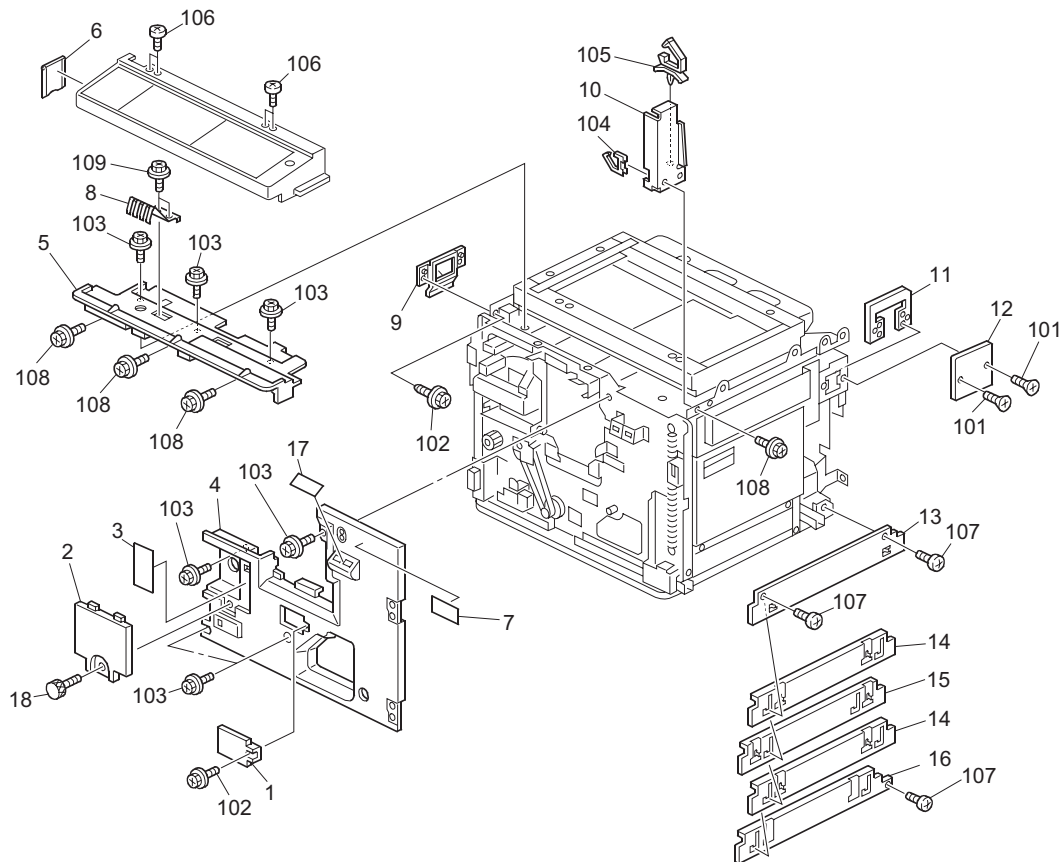


1.Exterior 1

Index No.	Part No.	Description	Q'ty Per Assembly
1	C280 1255	COVER:DOOR	1
2	C279 1330	DECAL:FALL:PAPER FEED TRAY	1
3	C244 1264	SAFETY SWITCH BRACKET	1
4	C244 1258	DOOR SUPPORT PLATE	1
5	C244 1254	CUSHION - FRONT DOOR	2
6	C262 1260	HINGE:DOOR:ASS'Y	2
7	C262 1350	SHEET:OPERATION INSTRUCTIONS	1
8	A659 1272	DOOR CATCH	1
9	C244 1259	DOOR CATCH BRACKET	1
10	C280 1275	COVER:LEFT	1
11	C280 1264	COVER:SCANNER:LEFT	1
12	C279 1329	COVER:SCANNER:REAR	1
13	C280 1384	COVER:REAR	1
14	C280 1263	COVER:SCANNER:RIGHT	1
15	C280 1270	COVER:RIGHT REAR	1
16	C280 1266	COVER:RIGHT FRONT:ASSY	1
17	C280 1250	COVER:DOOR:ASSY	1
18	C280 1277	CAP:COVER:LEFT	3
19	C262 1070	STOPPER:GRIP:ASS'Y	4
20	D144 1396	HOLDER:EXPOSURE GLASS:IG:ASS'Y	1
21	B065 1374	CLOTH - DF EXPOSURE GLASS	1
22	C280 1333	DECAL:MASTER SET INSTRUCTIONS	1
23	C280 1335	PANEL.LOGO:DD6650P	1

Index No.	Part No.	Description	Q'ty Per Assembly
101	0450 4008N	TAPPING SCREW - M4X8	
102	0450 3010N	TAPPING SCREW - M3X10	
103	0451 4008N	TAPPING SCREW:4X8	
104	0453 3006N	TAPPING SCREW - M3X6	
105	0451 4008N	TAPPING SCREW:4X8	
106	0451 4010N	TAPPING SCREW:4X10	
107	0451 3008N	TAPPING SCREW - M3X8	
108	0451 4006N	TAPPING SCREW - 4X6	
109	1607 1859	FERRITE CORE:E04SR241336A	
110	2803 0006	CORD BINDER	

2.Exterior 2



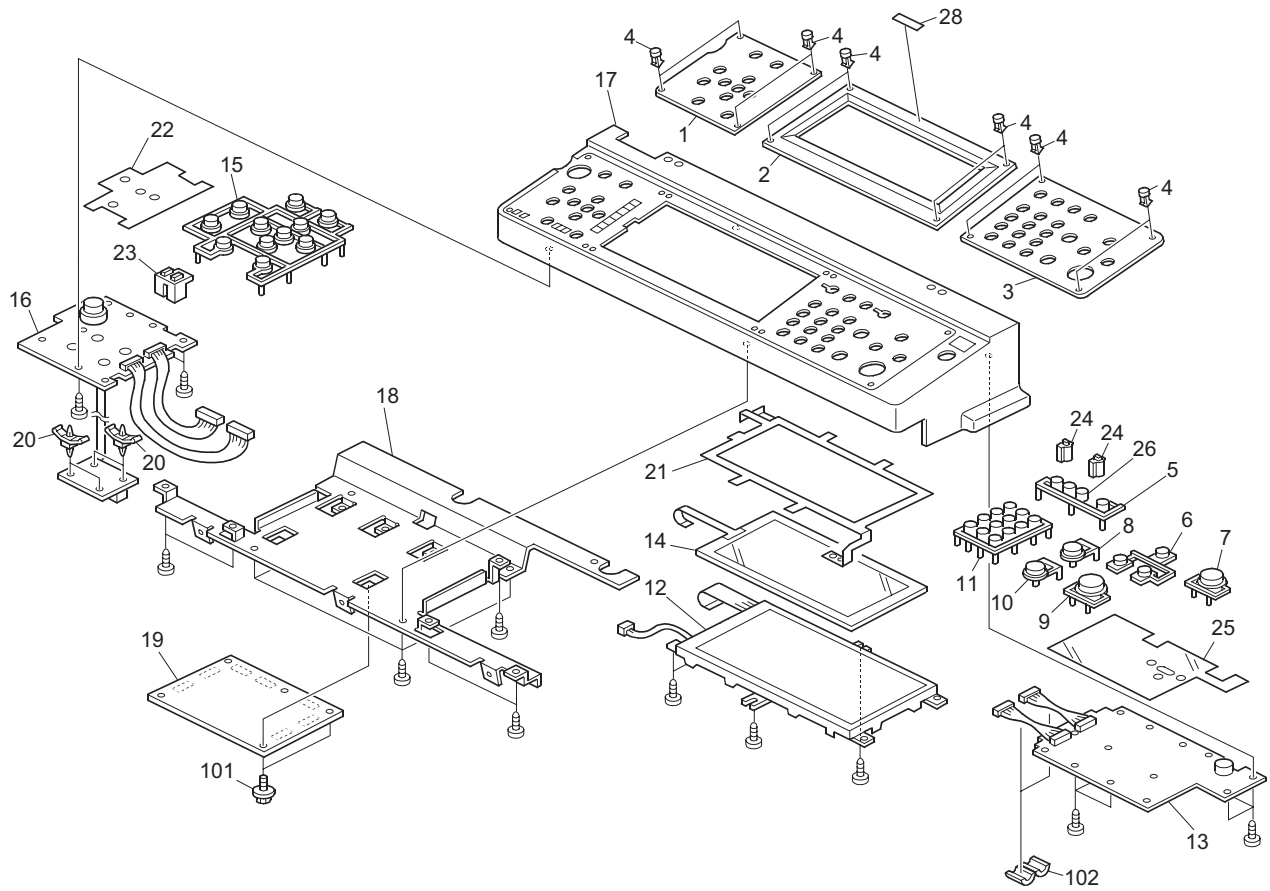
2.Exterior 2

Index No.	Part No.	Description	Q'ty Per Assembly
1	C262 1286	CAP:PRESS DRAM:SMALL	1
2	C280 1298	CAP:KNOB:PRESS DRAM:CLEANING	1
3	C239 1356	DECAL- CYLINDER OPERATION	1
4	C262 1299	INNER COVER	1
5	C280 1265	COVER:PANEL:LOWER	1
6	C280 1371	COVER:MAIN SWITCH	1
7	C233 1290	DECAL - CAPTION LED	1
8	C280 1135	SPRING PLATE:OPERATION PANEL	1
9	C280 1365	COVER:MAIN SWITCH:PRINTING:ASS'Y	1
10	C280 1261	BRACKET:OPERATION PANEL:PROTECT:RIGHT	1
11	C238 1339	KEY COUNTER PLATE NUT	1
12	C280 1355	COVER:KEY COUNTER	1
13	C280 2782	SHIELDING PLATE:PAPER TRAY:UPPER:FIX	1
14	C244 2764	LOWER SHIELD PLATE A	2
15	C244 2765	LOWER SHIELD PLATE B	1
16	C244 2763	LOWER SHIELD PLATE	1
17	C262 1357	SHEET:COUNTER	1
18	C259 7052	KNOB SCREW:M4X10	1



Index No.	Part No.	Description	Q'ty Per Assembly
101	0323 0100N	SCREW M3X10	
102	0450 3008N	TAPPING SCREW - M3X8	
103	0451 4008N	TAPPING SCREW:4X8	
104	1105 0723	CLAMPS:WES-0507	
105	1105 0516	CLAMP	
106	0353 0040N	SCREW - M3X4	
107	0453 4006N	BINDING SELF TAPPING SCREW:4X6	
108	0451 3008N	TAPPING SCREW - M3X8	

3.Operation Panel



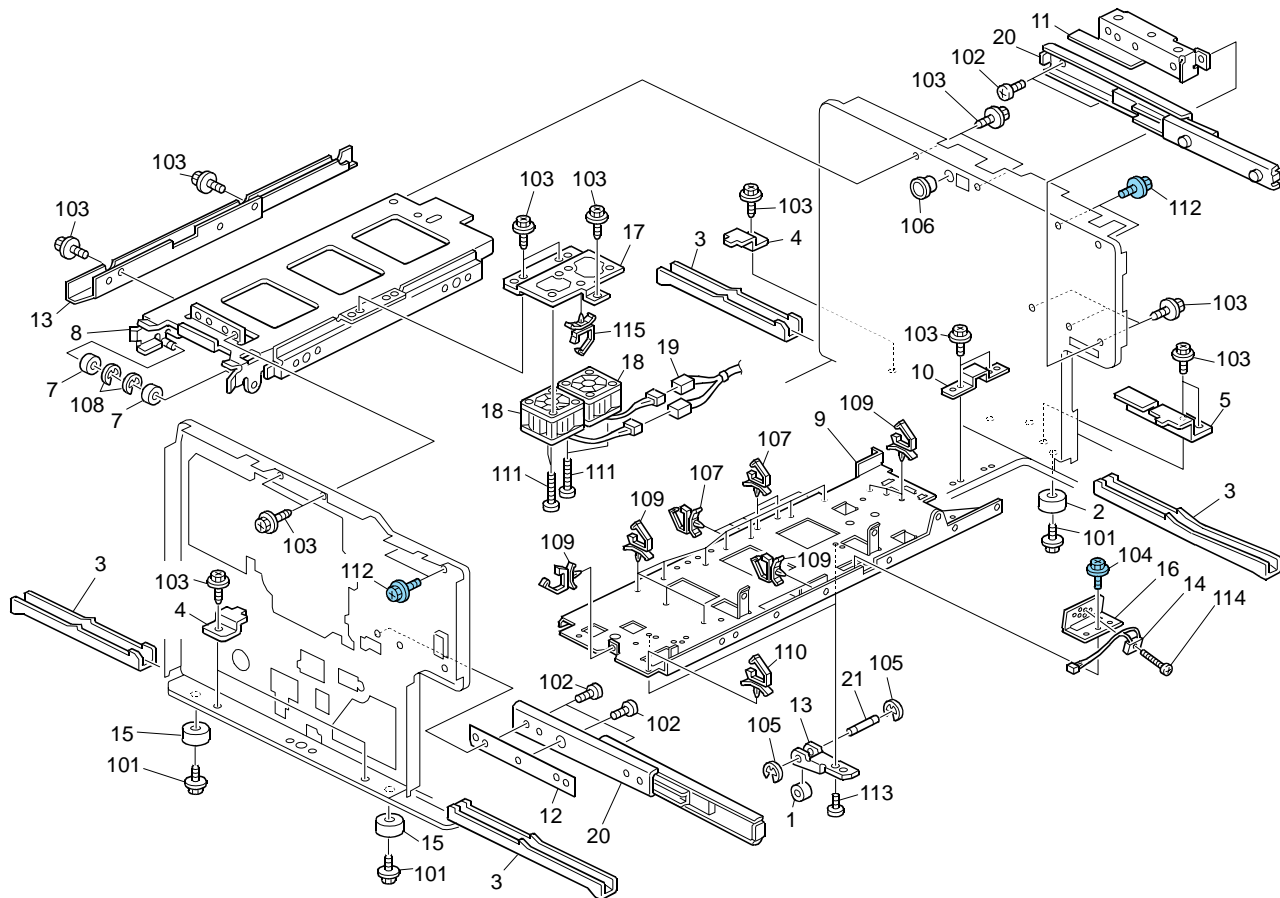
3.Operation Panel

Index No.	Part No.	Description	Q'ty Per Assembly
1	C280 1473	DESIGN PLATE:CLEAR:PANEL:MIDDLE:D2	1
2	C280 1471	DESIGN PLATE:CLEAR:PANEL:RIGHT	1
3	C280 1489	PIN:PANEL:EM-D2	12
4	C280 1470	CASE:OPERATION PANEL	1
5	C280 1487	KEYTOP:PROGRAM	1
6	C262 1485	KEYTOP:CONTENUANCE	1
7	C280 1480	KEYTOP:POWER SOURCE	1
8	C280 1483	KEYTOP:TRY PRINT	1
9	C280 1482	KEYTOP:START	1
10	C280 1481	KEYTOP:STOP	1
11	C280 1484	KEYTOP:10KEY	1
12	B213 5225	LCD:HVGA:SH:BL	1
13	C269 5168	PCB:OPERATION SUB-UNIT:RIGHT	1
14	H310 6173	TOUCH PANEL:HVGA:FU-ACF	1
15	C280 1490	KEYTOP:LEFT	1
16	C280 5169	PCB:OPERATION SUB-UNIT:LEFT	1
17	C280 1494	DESIGN PLATE:CLEAR:PANEL:LEFT	1
18	C262 1520	BRACKET:LCDC	1
19	C280 5164	PCB:LCDC:NA:ASS'Y	1
19	C280 5166	PCB:LCDC:EU:ASS'Y	1
20	C262 1499	NYLON CLAMP	4
21	C262 1521	COVER:LCDC	1
22	C262 1495	SHEET:PREVENTFENCE:LEFT	1
23	C269 1498	LENS:LED:LOWER	1
24	C262 1497	LENS:LED:UPPER	2
25	C262 1496	SHEET:PREVENTFENCE:RIGHT	1
26	C280 5622	GASKET:STGZ2-21:L60	1
27	C280 5635	SHADEING PLATE:OPERATION PANEL:CAT'S	1
28	C280 5220	HARNES:OPERATION PANEL: CONNECTING:ASS'Y	1
29	D120 1551	SHEET:LOGO	1

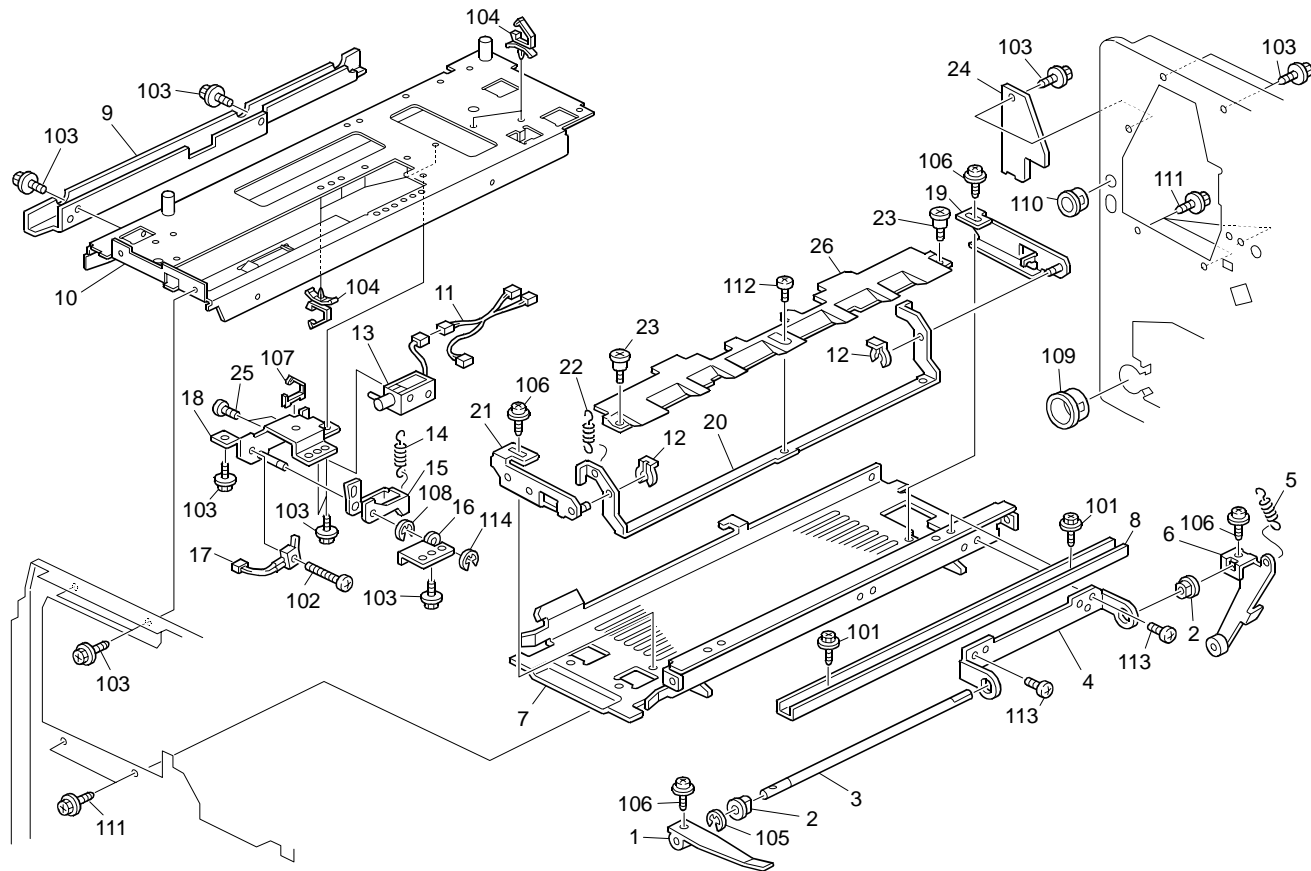


Index No.	Part No.	Description	Q'ty Per Assembly
101	0451 3006N	TAPPING SCREW - 3X6	
102	1105 0516	CLAMP	
103	1607 1713	FERRITE CORE:ZCAT1730-0730A	

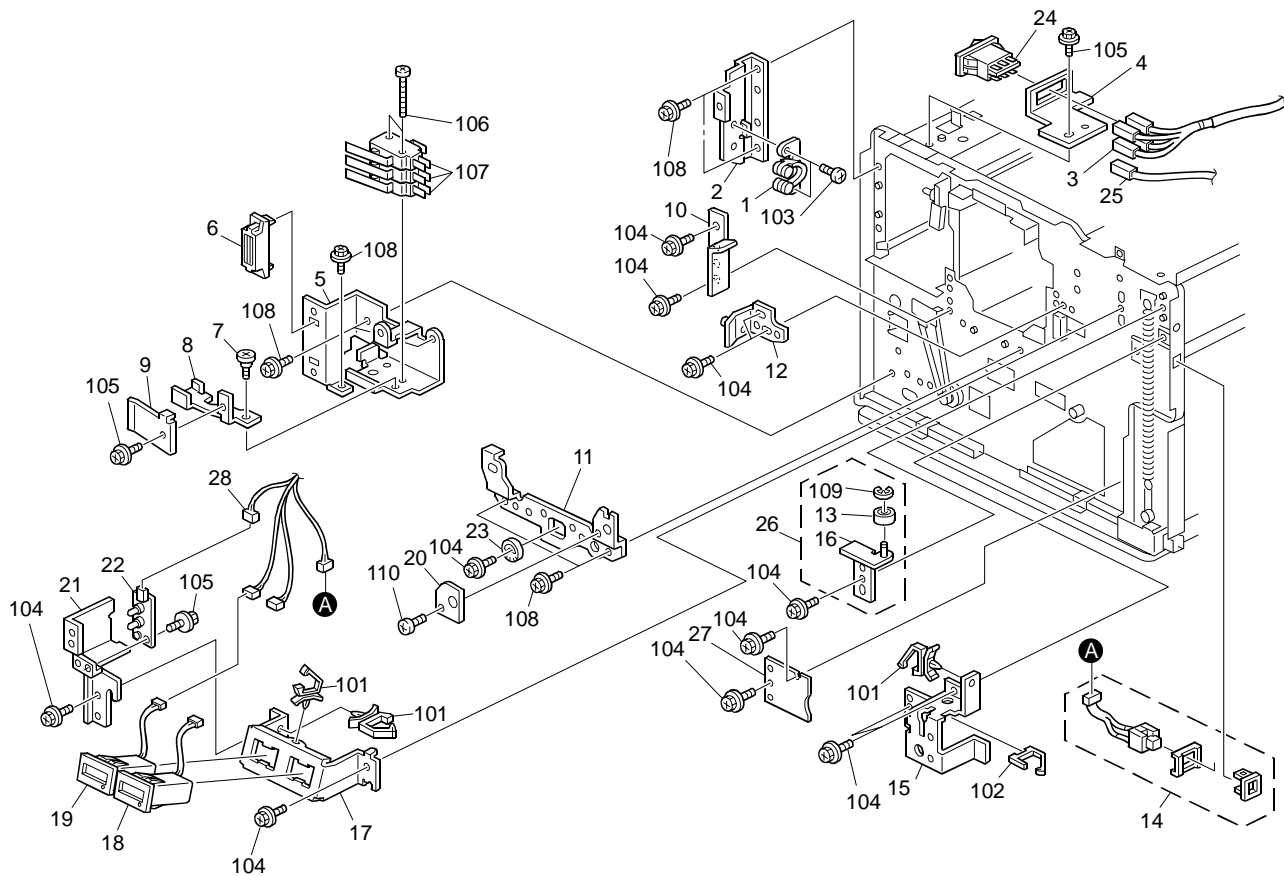
4.Frame Section 1



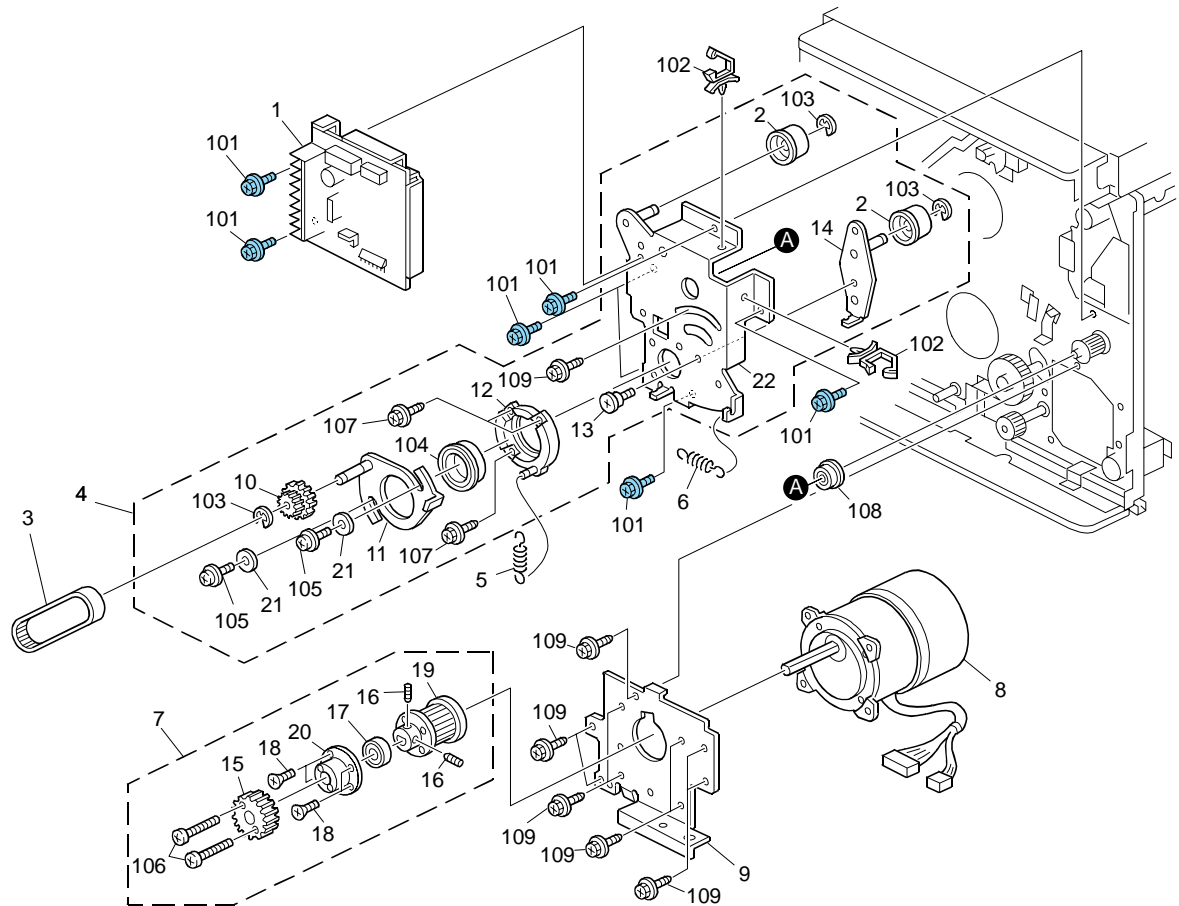
5.Frame Section 2



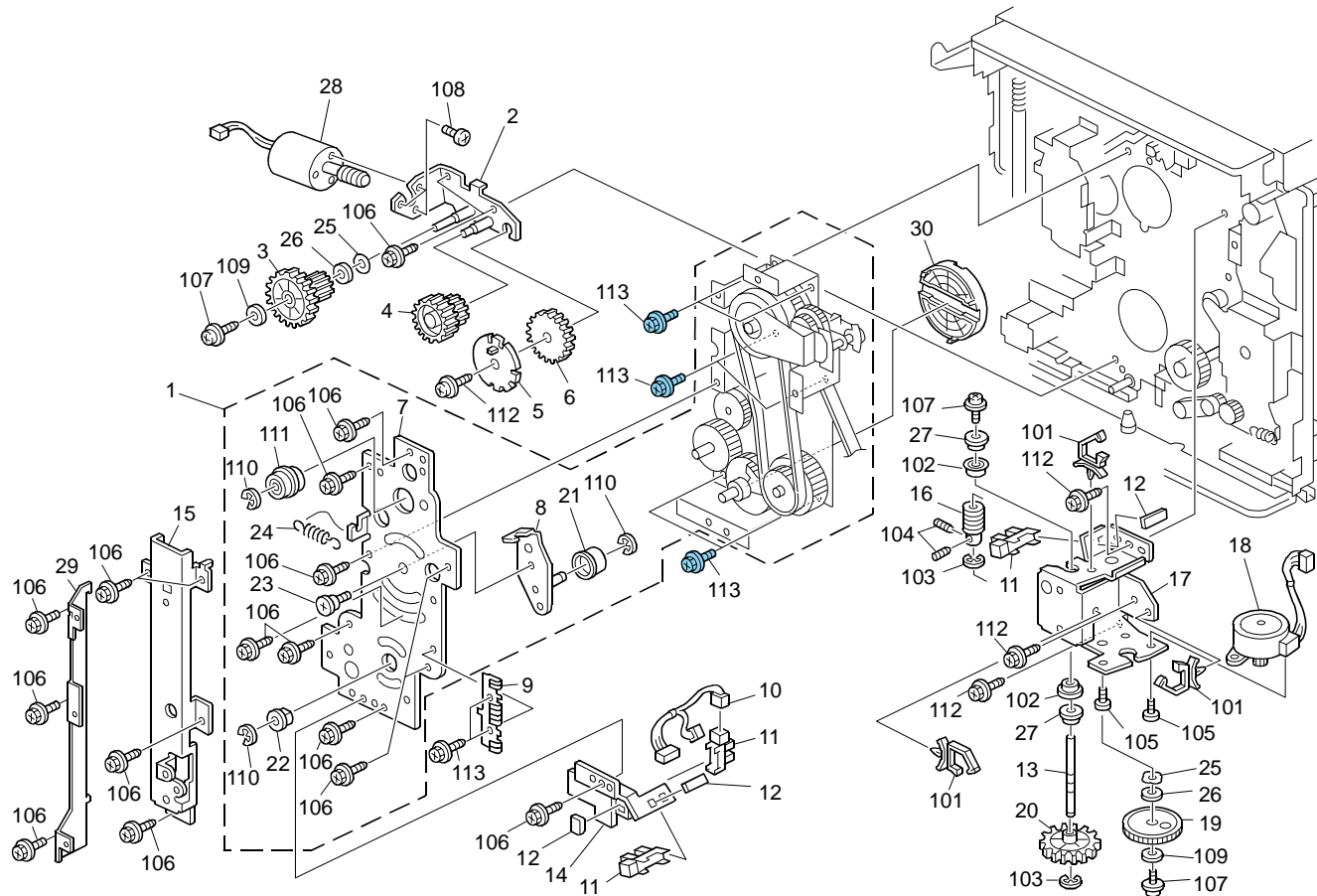
6.Frame Section 3



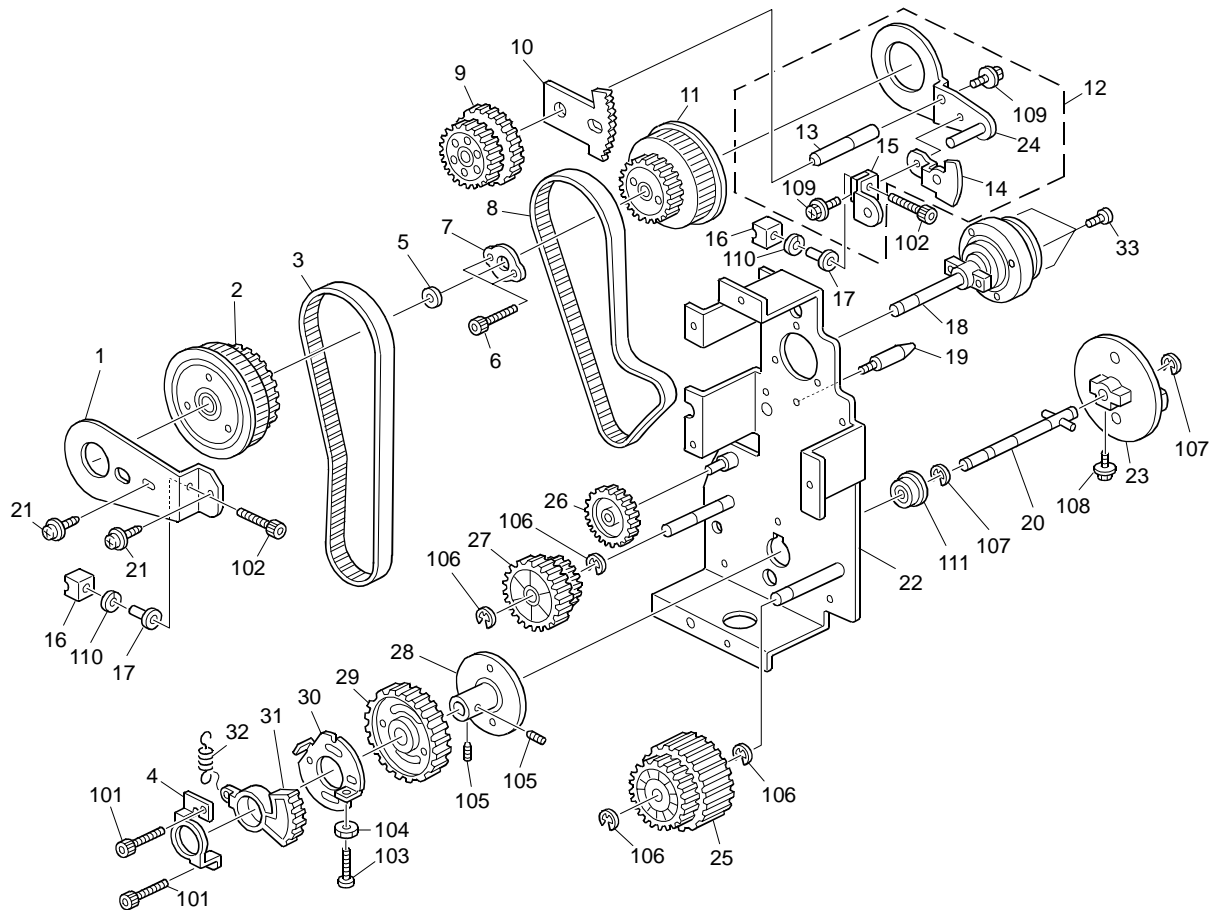
7. Drive Section 1



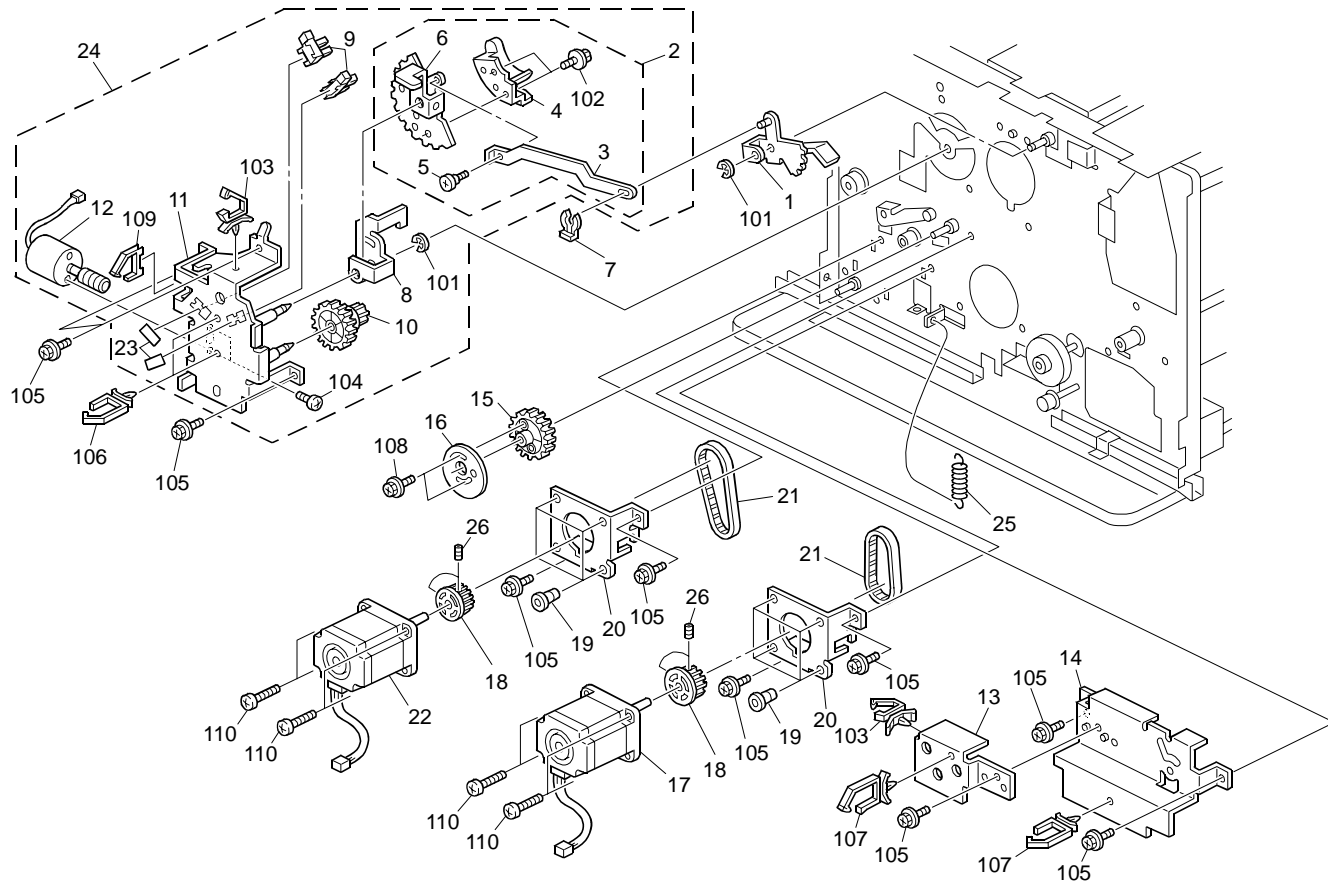
8. Drive Section 2



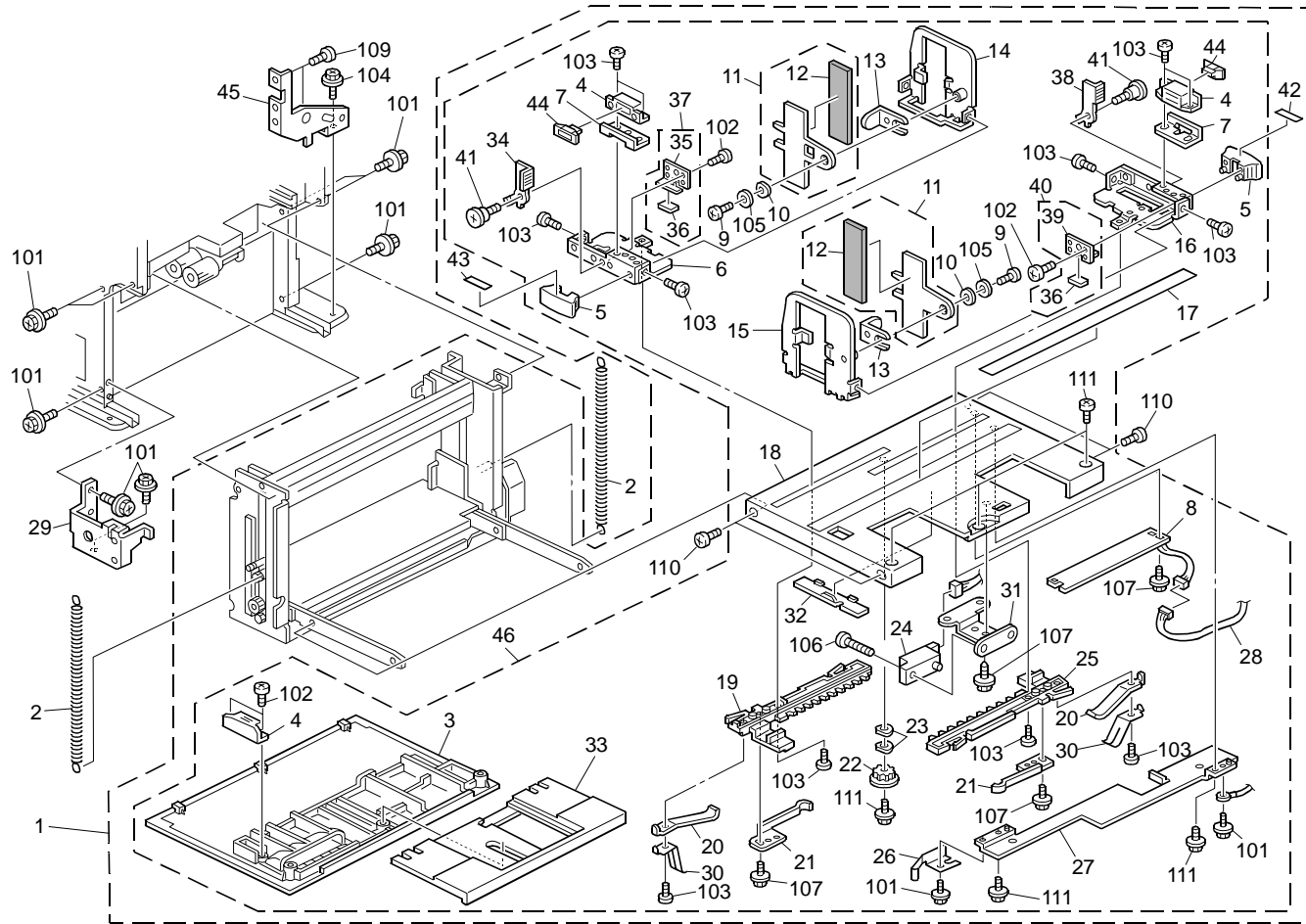
9. Drive Section 3



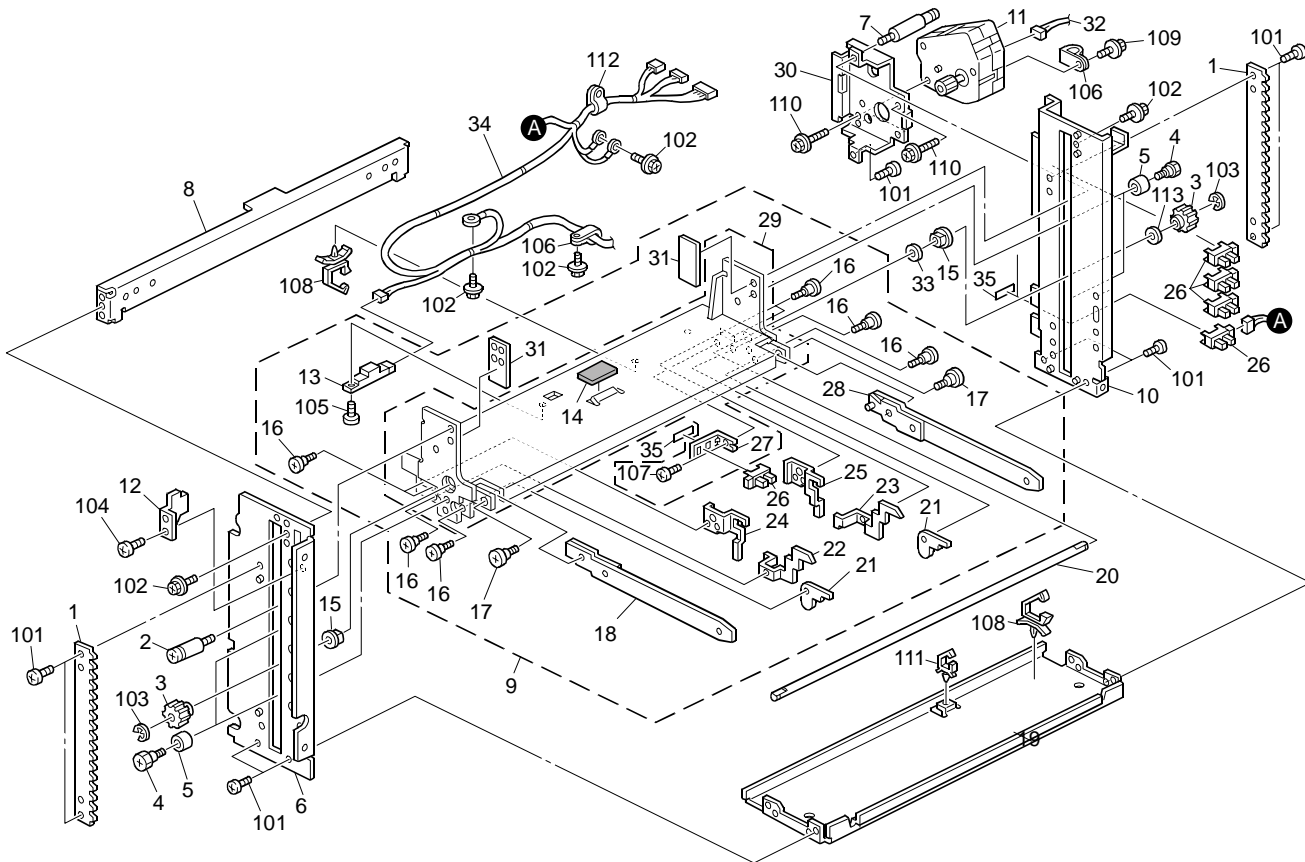
10. Drive Section 4



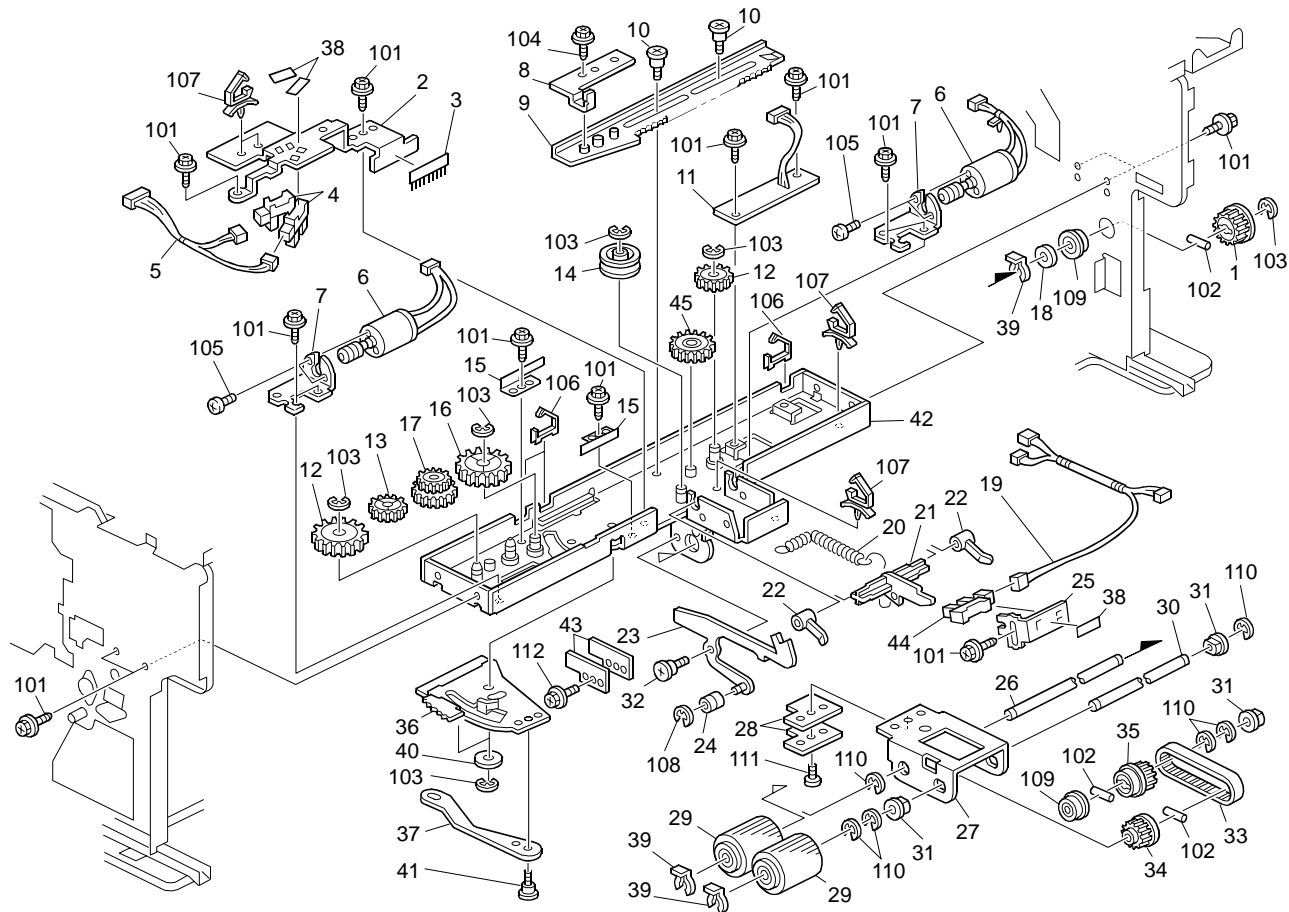
11.Paper Feed Section 1



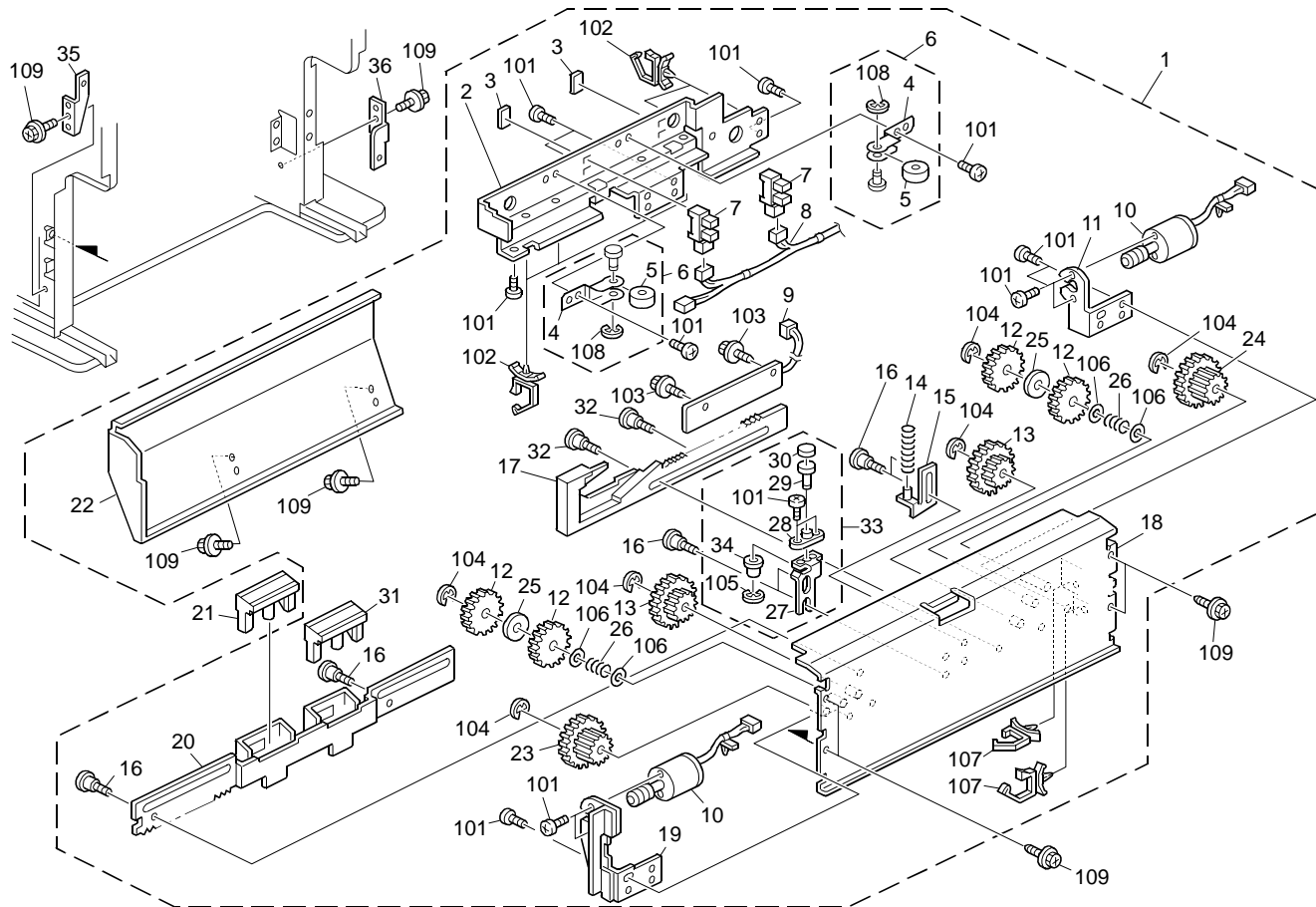
12. Paper Feed Section 2



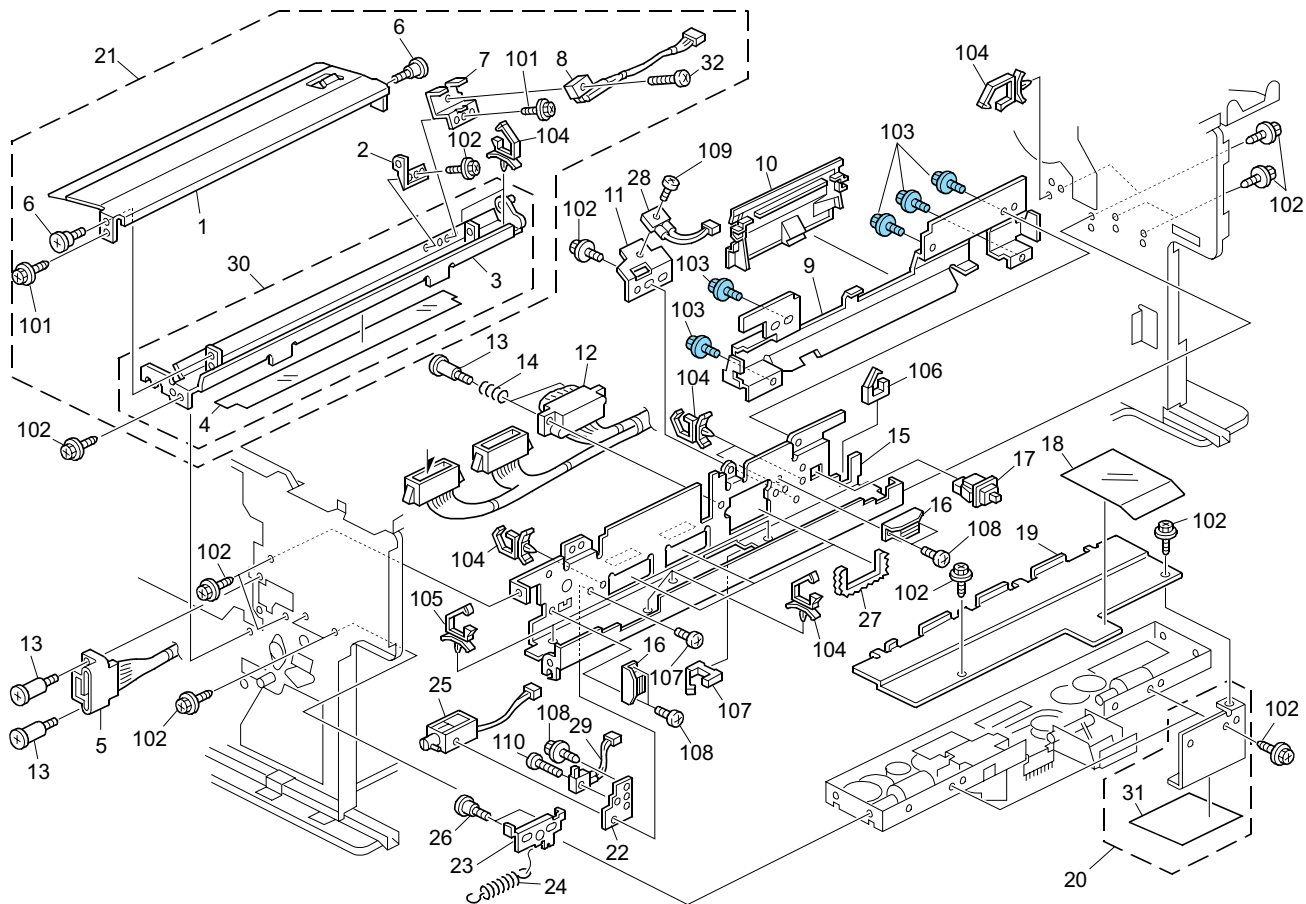
13.Paper Feed Section 3



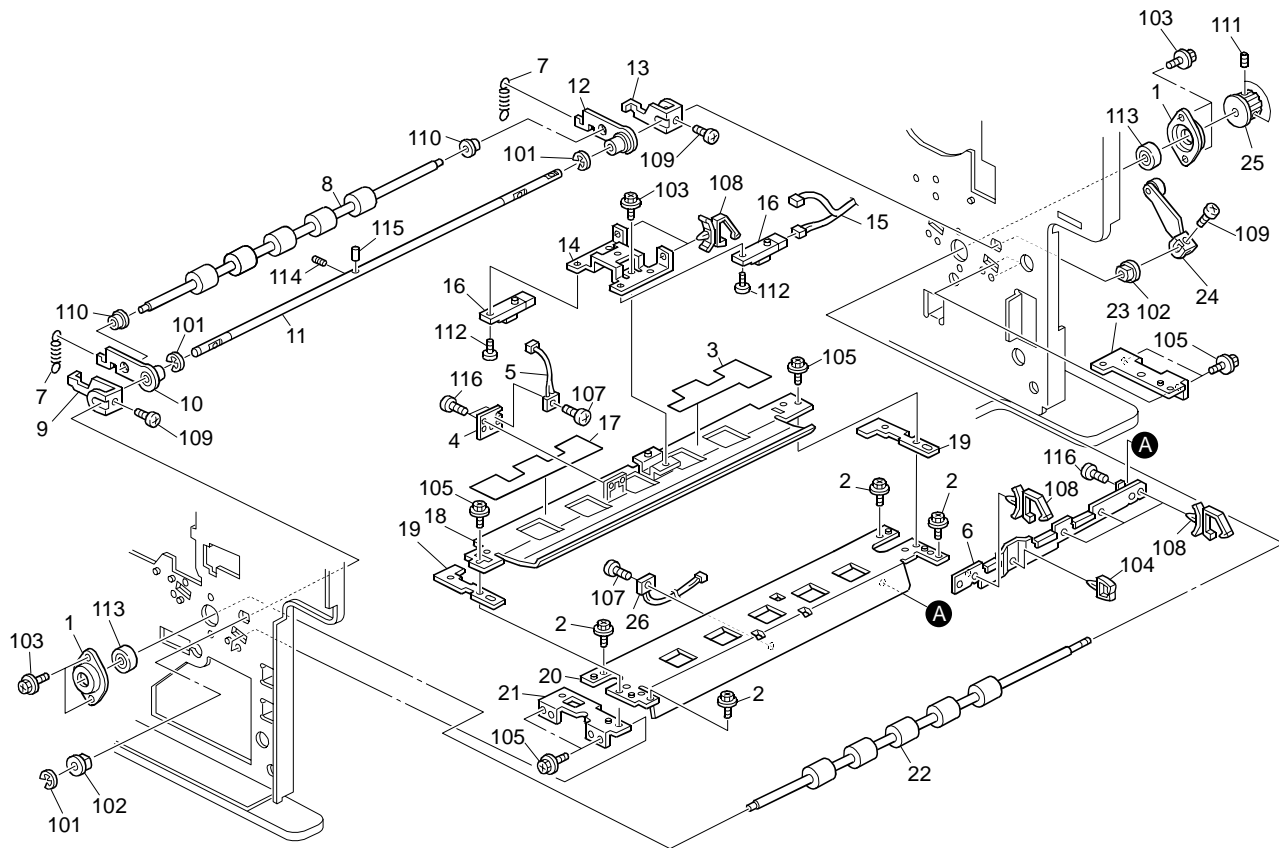
14. Paper Feed Section 4



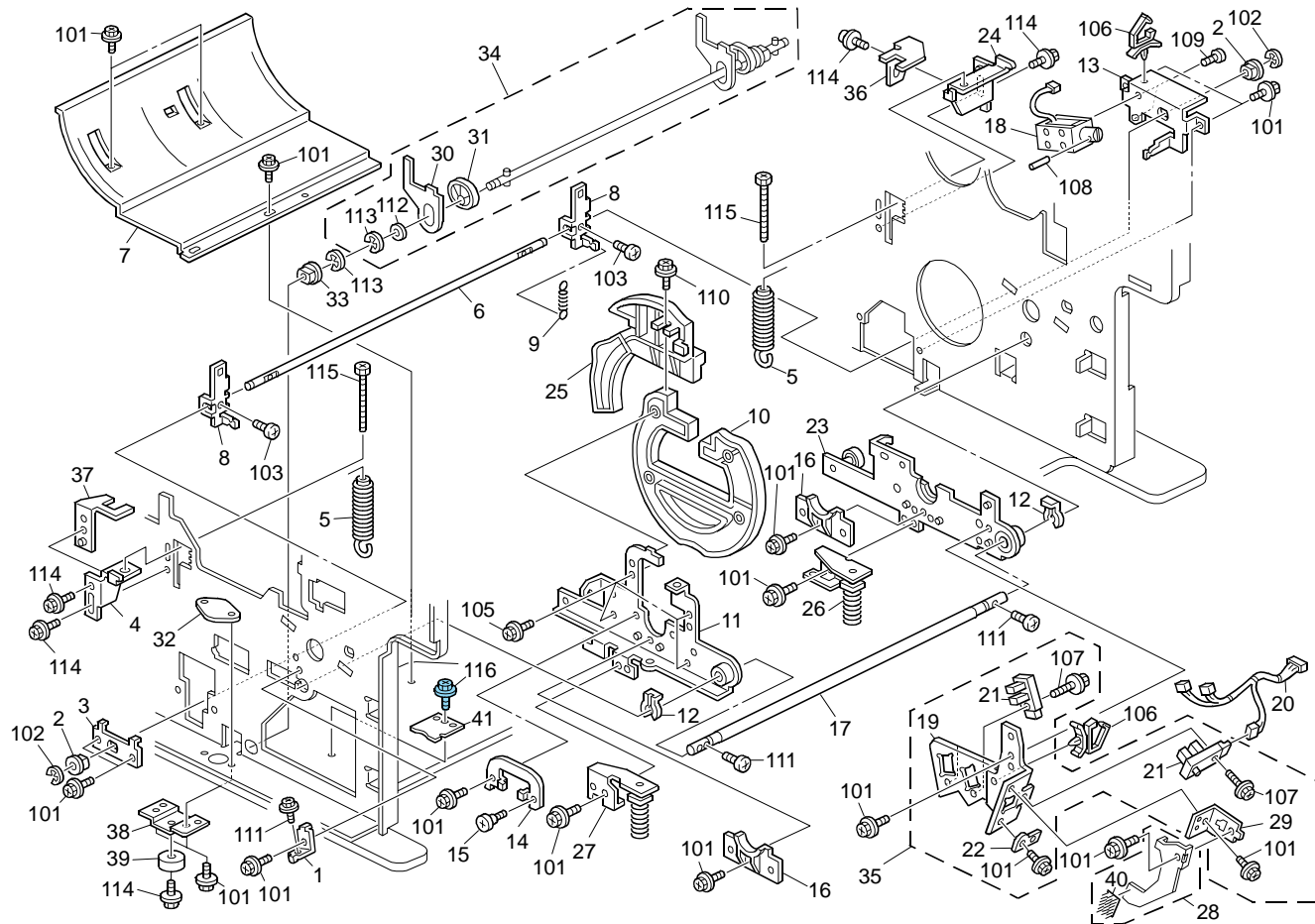
15. Paper Feed Section 5



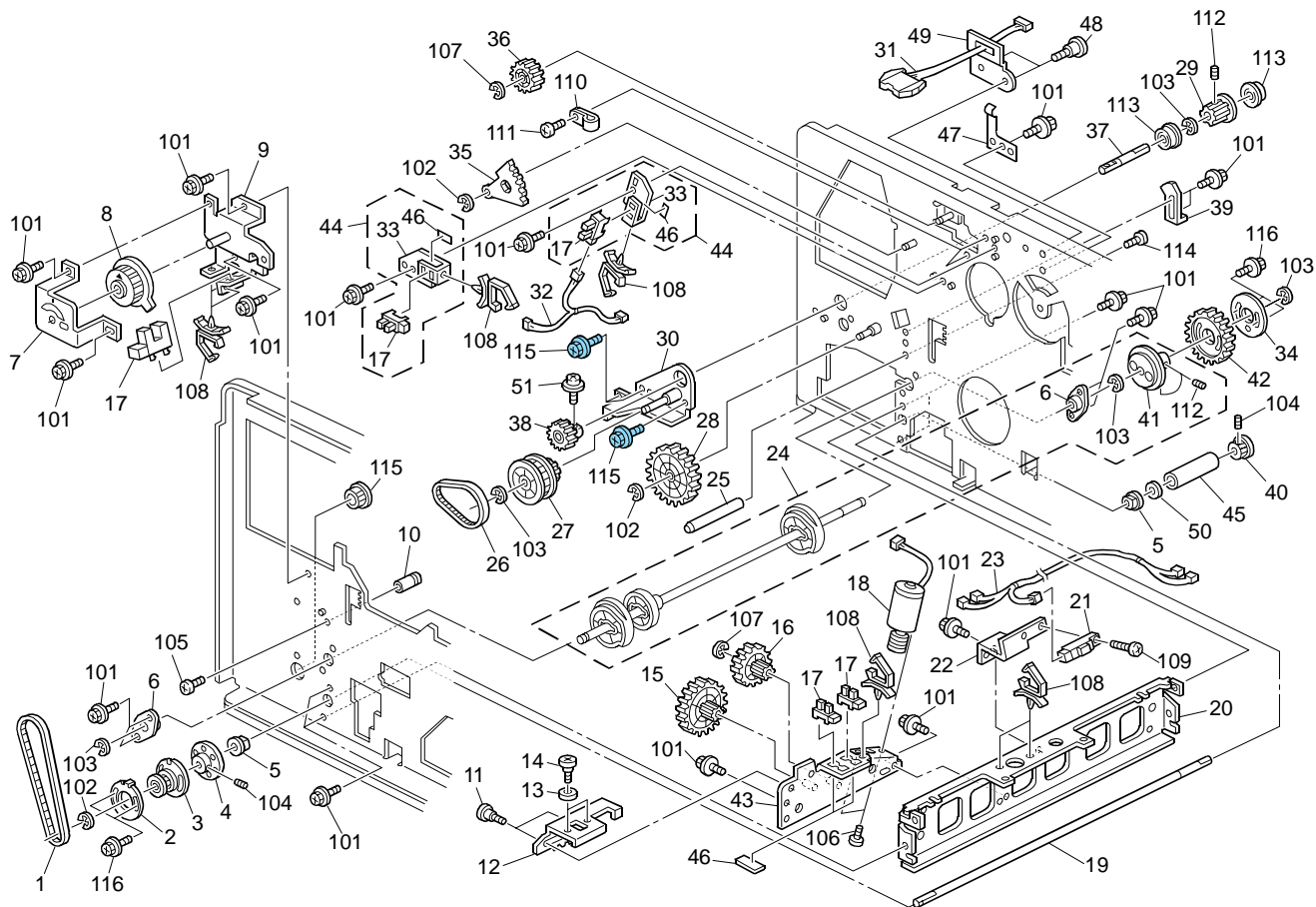
16. Paper Feed Section 6



18. Pressure Cylinder 2



19. Pressure Cylinder 3

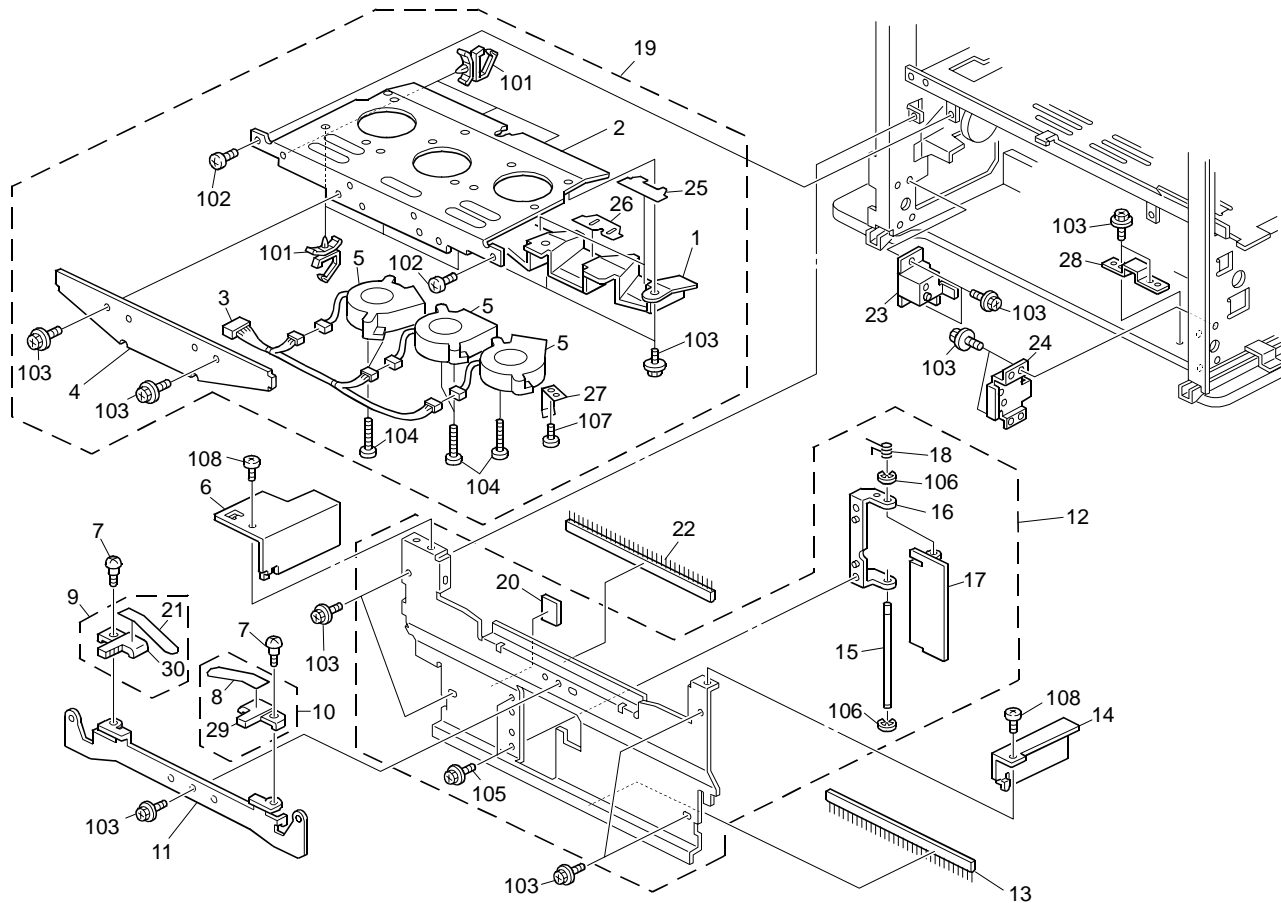


19.Pressure Cylinder 3

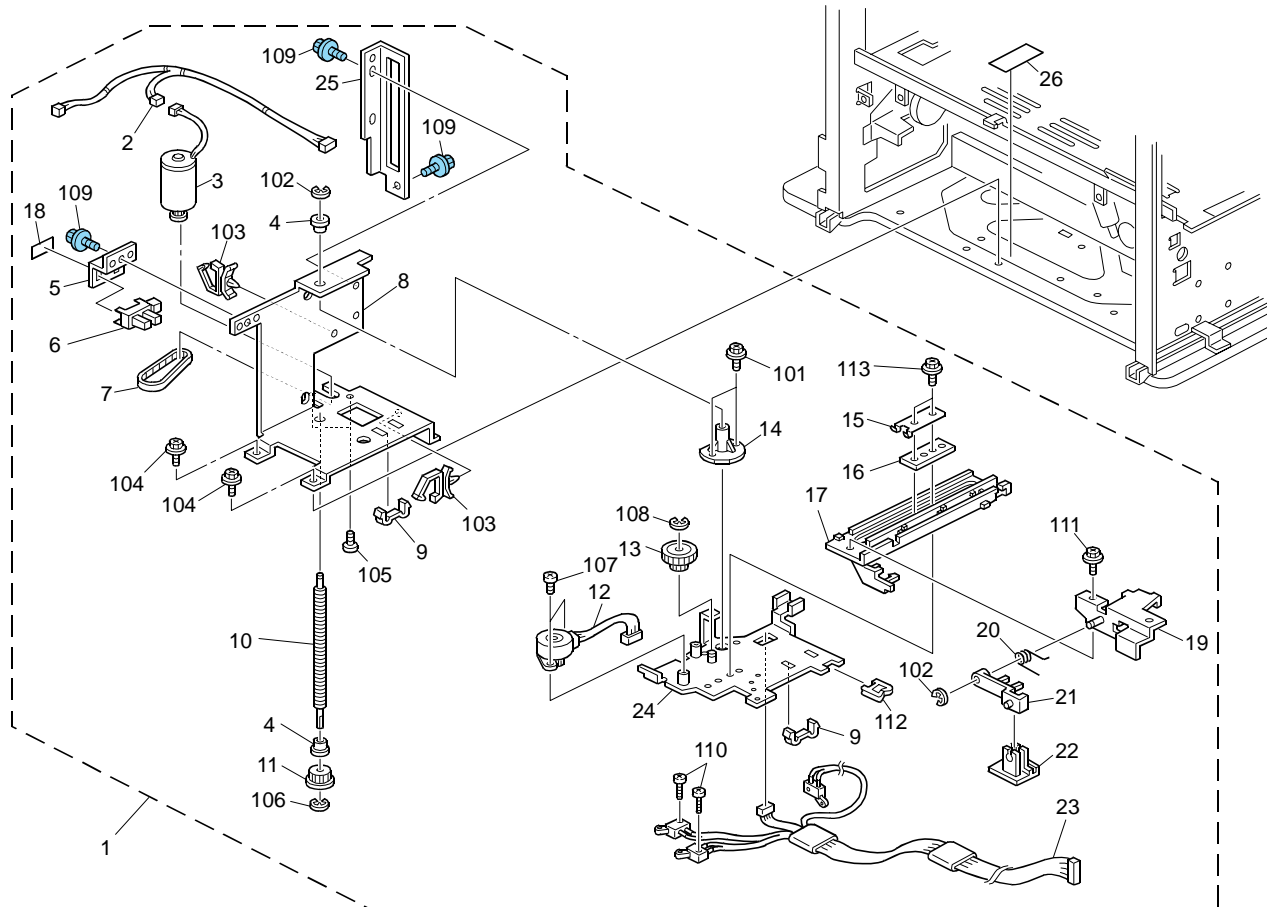
Index No.	Part No.	Description	Q'ty Per Assembly
1	C229 1163	TIMING BELT - S3M118Z	1
2	C244 1162	PULLEY SPACER	1
3	C229 1161	DIAL DRIVE PULLEY - 20Z	1
4	C229 1160	DIAL ADJUSTER	1
5	5304 1639	BUSHING - 8MM	2
6	C229 3135	BUSHING - CAM SHAFT	1
7	C262 1170	COVER:DIAL:PRINTING	1
8	C244 1167	PULLEY:DRIVEN:ASS'Y	1
9	C244 1164	BRACKET DIAL ASS'Y	1
10	C244 1082	SHAFT:HALE UNIT:FRONT	1
11	C244 4426	SHOULDER SCREW	2
12	C262 3143	RACK:PRESSURE RELEASE ASS'Y	1
13	C229 3148	BUSHING	2
14	AA14 3718	STEPPED SCREW - M4	2
15	C229 3146	GEAR - 80Z/16Z	1
16	C229 3145	WORM WHEEL - 50Z/16Z	1
17	AW02 0203	PHOTOINTERRUPTOR:GP1A173LCS2F	5
18	C259 5804	DC MOTOR:2.0W:MM32	1
19	C265 1043	SHAFT:STAY:LEFT:MIDDLE	1
20	C244 1075	STAY:LEFT	1
21	C257 5807	PHOTO REFLECTION SENSOR:GP2A25	1
22	C244 3951	LOWER PAPER EXIT SENSOR BRACKET	1
23	C280 5262	HARNESS:CHANGE:ASS'Y	1
24	C257 3125	CAM SHAFT	1
25	C229 1083	REAR GUIDE SHAFT	1
26	C229 1139	TIMING BELT - S2M190	1
27	C229 3961	DRIVE PULLEY	1
28	C229 3966	DRIVE GEAR	1
29	C229 1136	TIMING PULLEY - JOB SEPARATOR	1
30	C244 3930	GUIDE PLATE:HALE UNIT:ASS'Y	1
31	C280 5246	HARNESS:DRUM:CONNECTING:MAIN:ASS'Y	1
32	C280 5224	HARNESS:DRUM:HP:ASS'Y	1
33	C244 2631	LIMIT SENSOR BRACKET	1
34	C244 3195	SPACER:GEAR	1

Index No.	Part No.	Description	Q'ty Per Assembly
35	C229 3585	SECTOR GEAR	1
36	C229 3586	DRIVEN GEAR	1
37	C233 1138	DRIVE SHAFT	1
38	C229 1137	DRIVE RELAY GEAR	1
39	C244 3976	STOPPER:LEVER:PAWL:MOVEABLE	1
40	C229 1155	DRIVEN SHAFT GEAR	1
41	C229 3133	CONTROL PLATE - CAM DRIVE	1
42	C229 3194	PRESSURE CYLINDER GEAR	1
43	C265 3150	BRACKET:EXCHANGE PLATE:ASS'Y	1
44	C280 1071	DRUM:HOME POSITION SENSOR:ASS'Y	2
45	C244 1044	SPACER	1
46	H522 1100	SENSOR GUIDE	4
47	C257 2612	SPRING PLATE	1
48	C244 2633	STEPPED SCREW	2
49	C257 2611	CONNECTOR BRACKET	1
50	C257 7055	WASHER:DIA8.1XDIA11.5X1T	1
51	C244 2452	SCREW M4X8	1
101	0451 4006N	TAPPING SCREW - 4X6	
102	0720 0060E	RETAINING RING - M6	
103	0720 0080E	RETAINING RING - M8	
104	0574 0050E	HEXAGON HEADLESS SET SCREW - M4X5	
105	0354 0060N	SCREW-M4X6	
106	0353 0040N	SCREW - M3X4	
107	0720 0040E	RETAINING RING - M4	
108	1105 0511	HARNESS CLAMP - LWS-0306ZC	
109	0353 0060N	BIND SCREW - M3X6	
110	1105 0005	NYLON CLAMP - 3N	
111	0453 4006N	BINDING SELF TAPPING SCREW:4X6	
112	0574 0040E	HEXAGON HEADLESS SET SCREW - M4X4	
113	0805 3205	BALL BEARING - 10X19X7MM	
114	0451 4008N	TAPPING SCREW:4X8	
115	0454 4006Q	TAPPING SCREW:4X6	

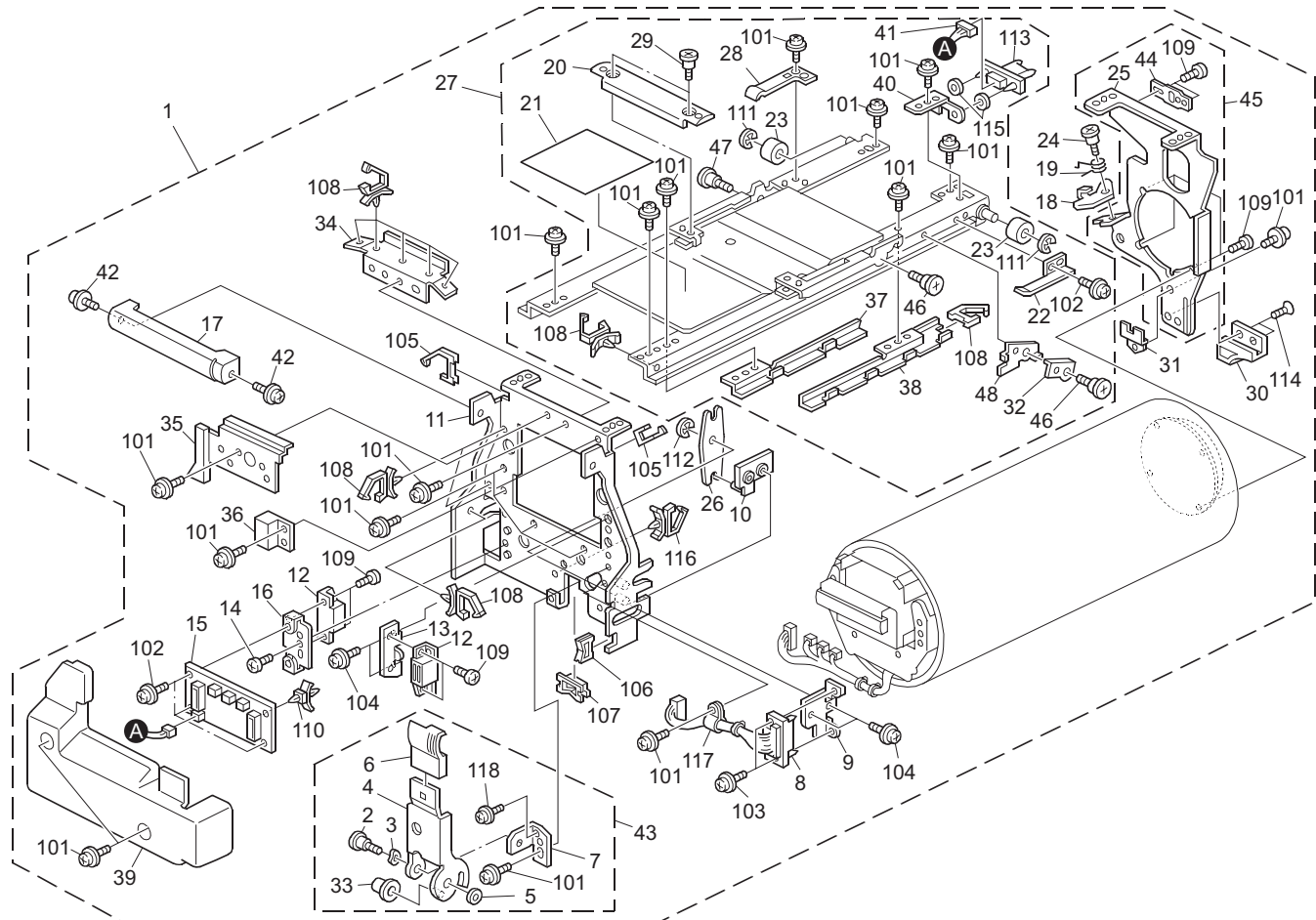
20.Paper Exit Section 1



22.Paper Exit Section 3



23. Drum Unit 1

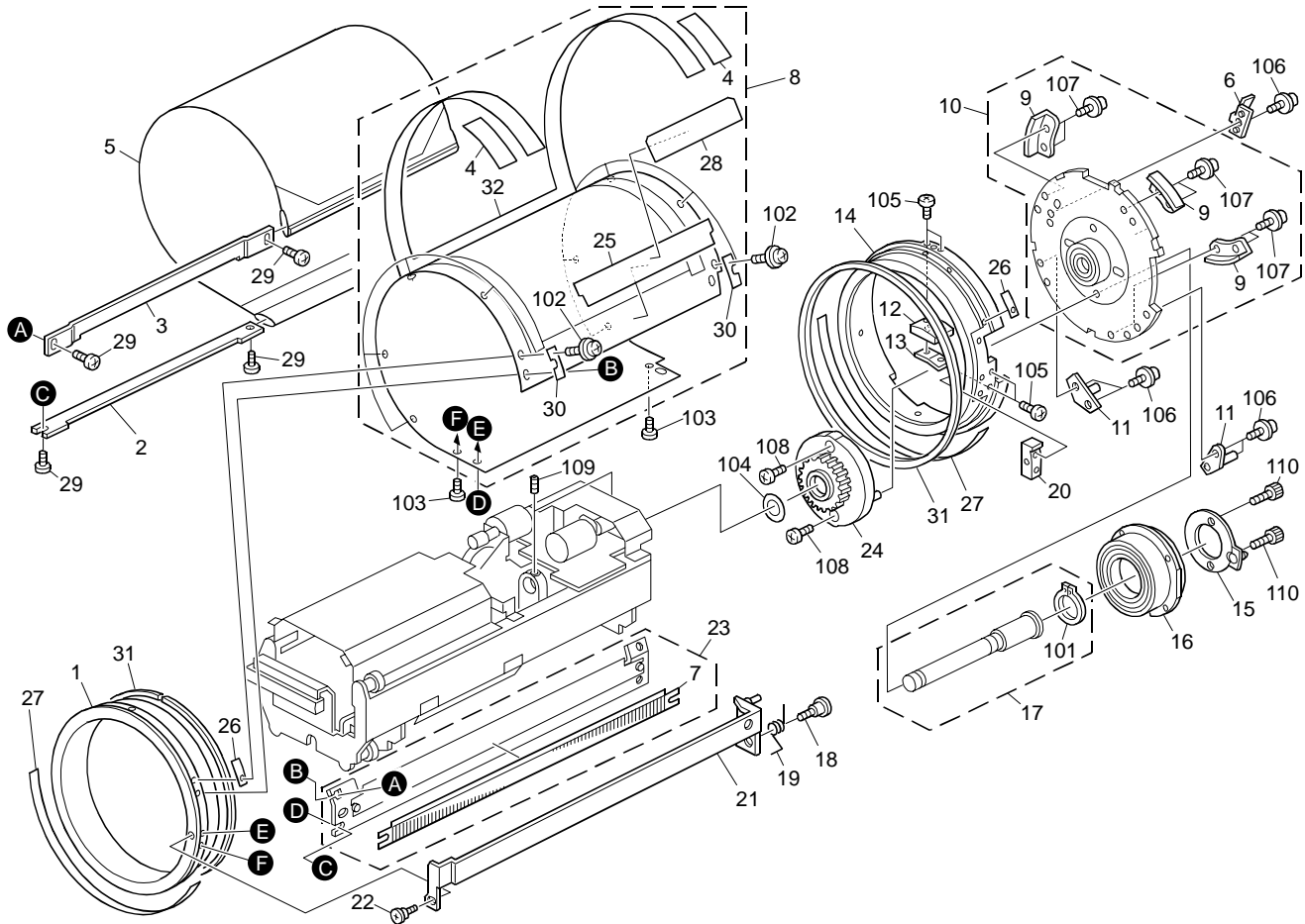


23.Drum Unit 1

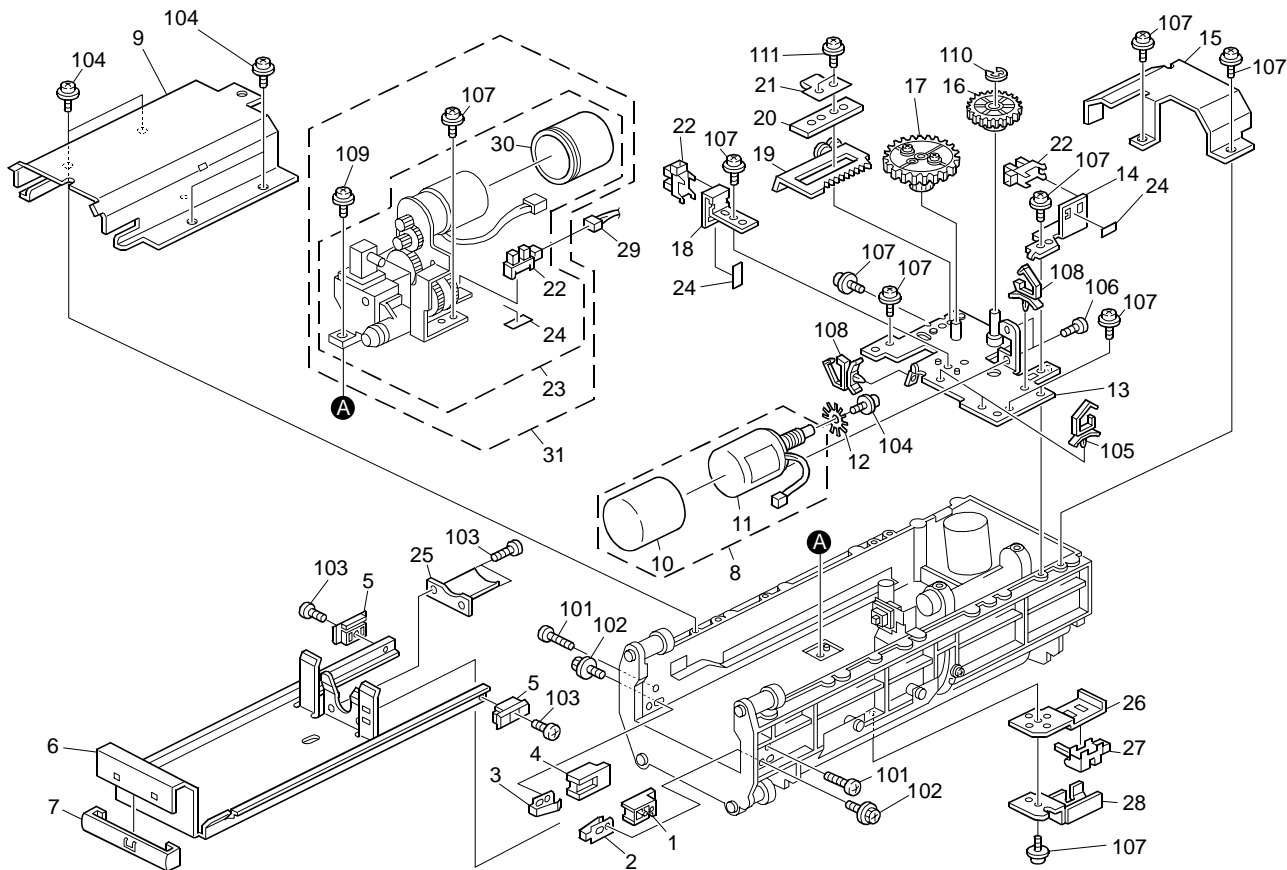
Index No.	Part No.	Description	Q'ty Per Assembly
1	C280 2339	DRUM:ASSY	1
2	C244 2453	LEVER SCREW	1
3	C217 5102	SPRING WASHER	1
4	C262 2367	LEVER:SWITCH:PEEN	1
5	AA13 2080	SPACER - CLEANING BRUSH	1
6	C244 2357	SWITCH LEVER KNOB	1
7	C244 2365	LEVER SWITCH BRACKET	1
8	C229 5212	INK SENSOR HARNESS	1
9	C244 2360	CONNECTOR BRACKET	1
10	C236 2359	CONNECTOR SLIDER	1
11	C265 2351	SIDE PLATE:FRONT:ASSY	1
12	AG07 0504	MAGNET CATCH:44.1N	2
13	C244 2377	MAGNET CATCH BRACKET	1
14	5875 2088	SHOULDER SCREW - M4	1
15	C257 5140	INK SENSOR PCB	1
16	C244 2353	FRONT MAGNET CATCH BRACKET	1
17	C244 2362	DRUM RELEASE GRIP	1
18	C229 2405	DRUM STOPPER ARM	1
19	C229 2406	DRUM LOCK SPRING	1
20	C244 2385	GRIP RAIL	1
21	C229 2399	DECAL - DRUM OPERATION	1
22	C229 2396	SPRING PLATE	1
23	C201 4604	DRUM RAIL ROLLER	2
24	C244 2413	DRUM LOCK SCREW	1
25	C269 2401	SIDE PLATE:REAR:LARGE:T	1
26	C236 2608	SWITCH ARM	1
27	C257 2313	DRUM RAIL	1
28	C229 2394	SPRING PLATE	1
29	C244 5125	STEPPED SCREW - M6	2
30	C233 2645	REAR DRUM FRAME STAND	1
31	C244 2644	REAR SIDE PLATE	1
49	C229 2392	STOPPER GUIDE	1
33	C236 2370	LEVER COLLAR	1
34	C257 2353	FRONT HARNESS COVER	1

Index No.	Part No.	Description	Q'ty Per Assembly
35	C257 2354	FRONT HARNESS COVER	1
36	C257 2358	SMALL FRONT COVER	1
37	C257 2371	COVER:HARNESS:NO.2	1
38	C257 2370	COVER:HARNESS:NO.1	1
39	C262 2364	INNER COVER:FRONT	1
40	C257 2388	BRACKET:CONNECTOR:DRUM	1
41	C280 5229	HARNESS:DRUM.ID:CONNECTING:ASSY	1
42	C244 2452	SCREW M4X8	2
43	C262 2355	GRIP:LEVER:ASSY	1
44	C269 2402	GUIDE:SIDE PLATE:REAR:DRUM	1
45	C265 2401	SIDE PLATE:REAR:LARGE:ASSY	1
46	C244 2390	SCREW:STOPPER:DRUM	1
47	C244 2451	SCREW:TRANSFER/SEPARATION	1
48	C229 2391	STOPPER BRACKET	1
101	0951 4006Z	PHILIPS SCREW WITH FLAT WASHER - M4	
102	0951 3006Z	PHILIPS SCREW WITH FLAT WASHER - M3	
103	0951 3008Z	PHILIPS SCREW WITH FLAT WASHER - M3	
104	0951 4008Z	PHILIPS SCREW WITH FLAT WASHER - M4X8	
105	1105 0551	CLAMP:LES-0505	
106	1105 0329	CLAMP - ES-0510	
107	1105 0724	CLAMPS:WES-1210	
108	1105 0511	HARNESS CLAMP - LWS-0306ZC	
109	0353 0060N	BIND SCREW - M3X6	
110	1105 0193	NYLON STUD	
111	0720 0040G	RETAINING RING - M4	
112	0720 0050G	RETAINING RING - M5	
113	1102 9861	DRAWER CONNECTOR	
114	0323 0060N	SCREW M3X6	
115	0708 0050N	WASHER DIA5	
116	1105 0487	HARNESS CLAMP	
117	1105 0016	NYLON CLAMP - 4N	
118	0951 3004Z	PHILIPS SCREW WITH FLAT WASHER-M3X4	

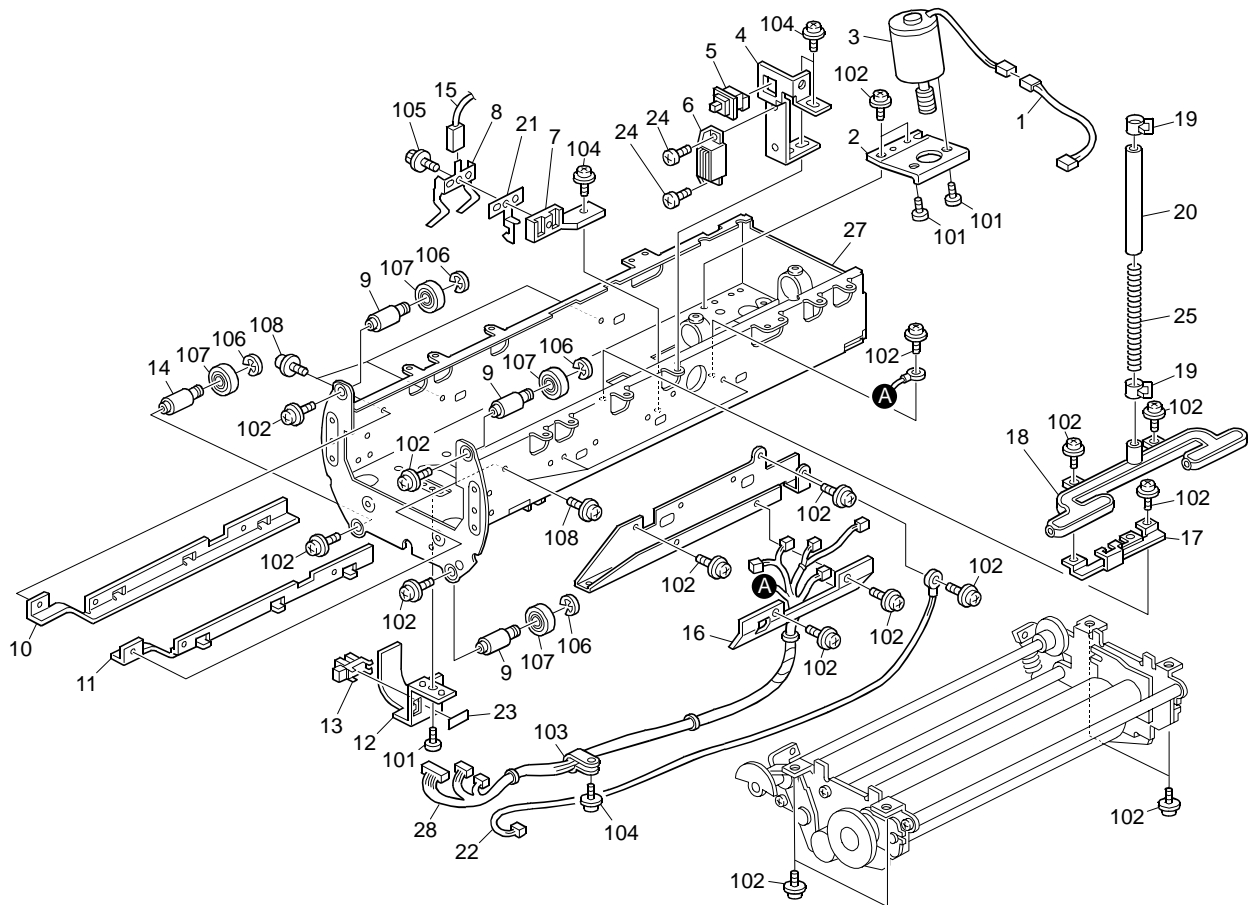
24. Drum Unit 2



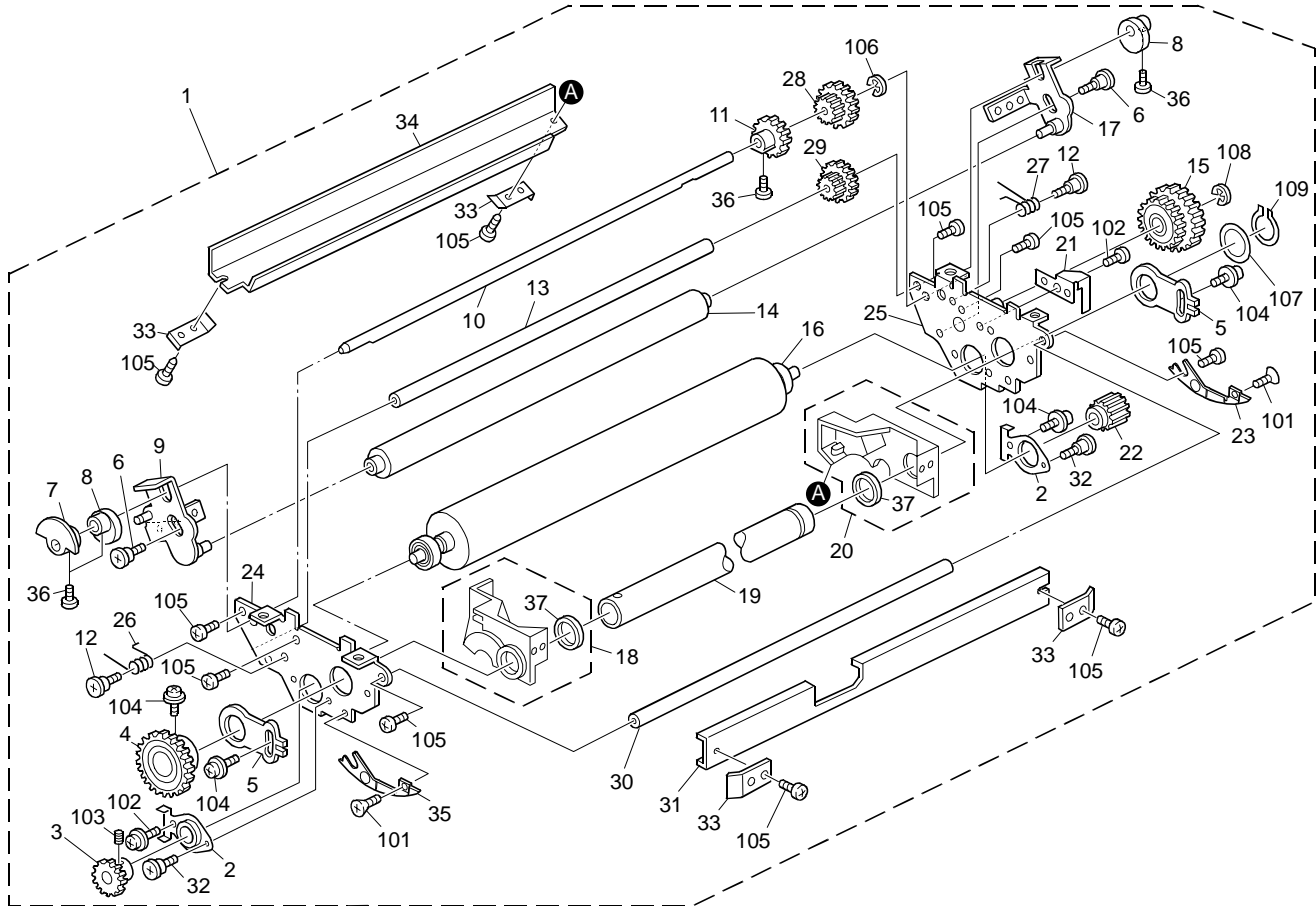
25.Drum Unit 3



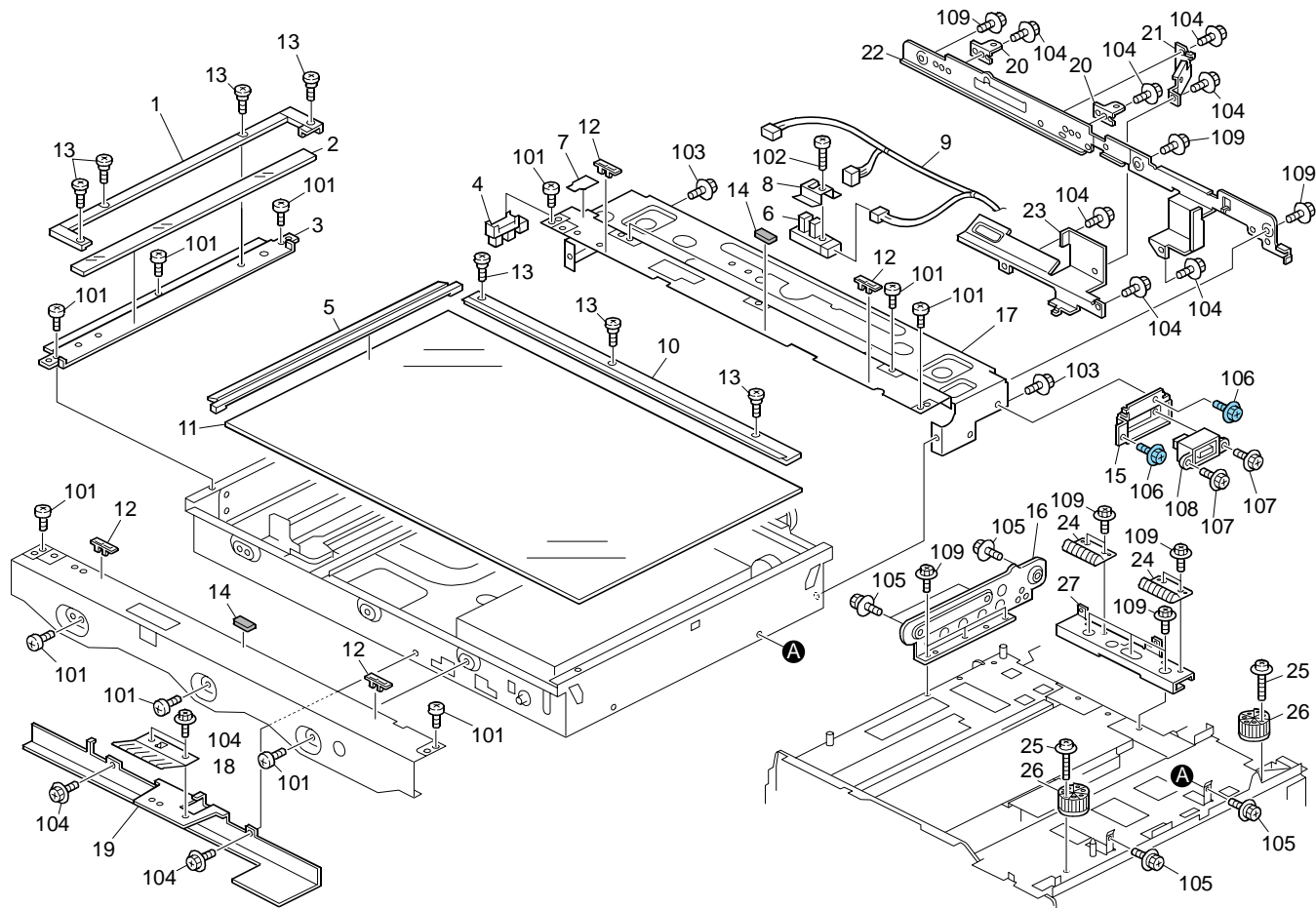
26. Drum Unit 4



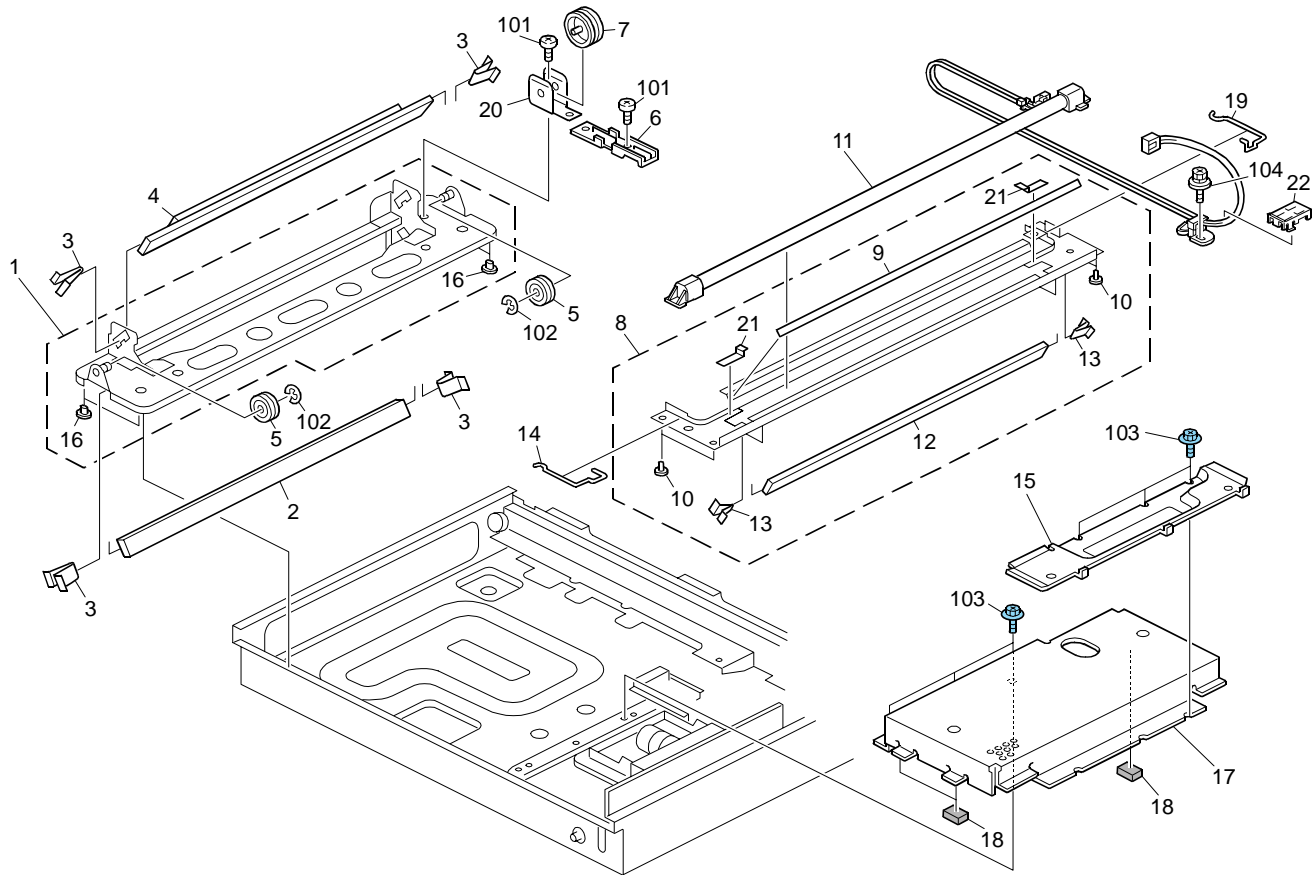
27.Drum Unit 5



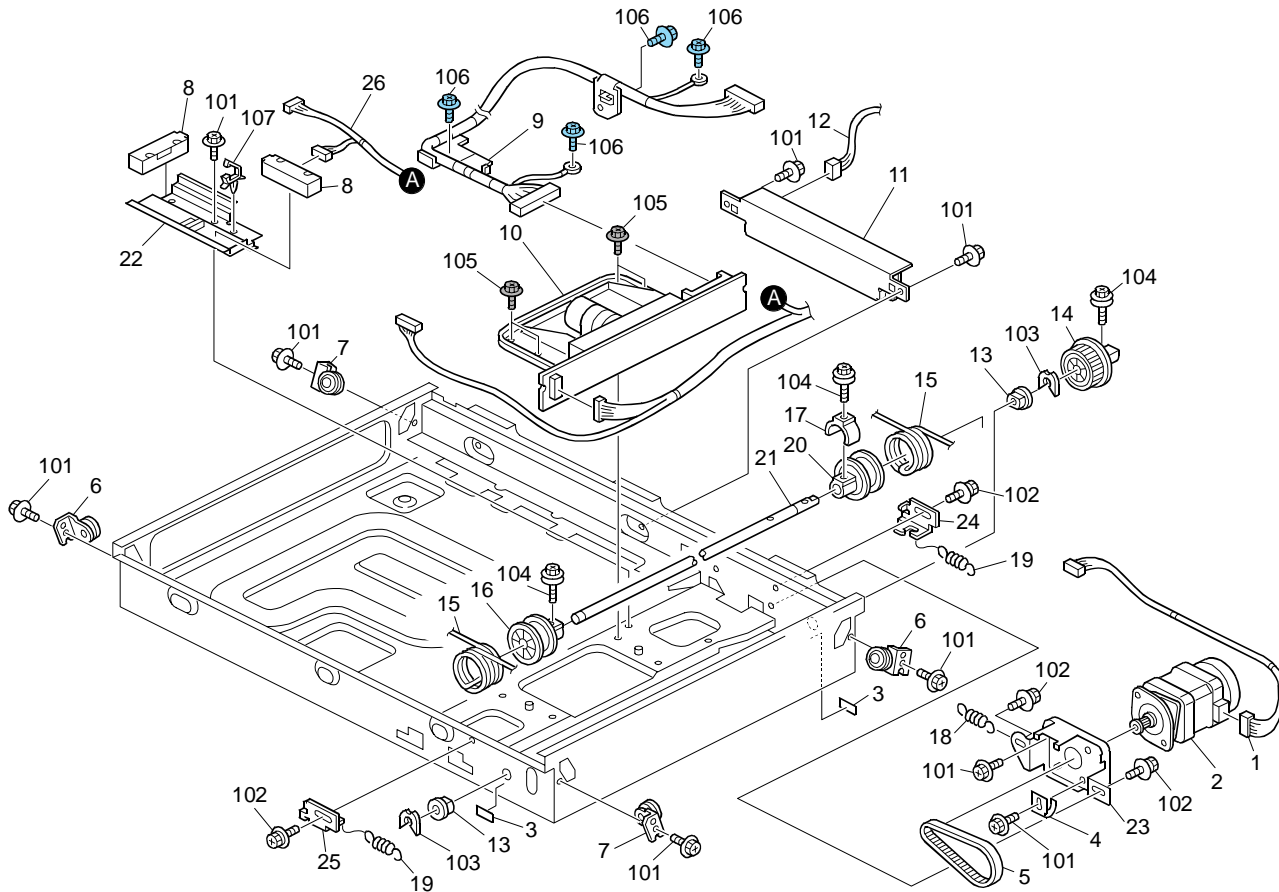
28.Scanner Unit 1



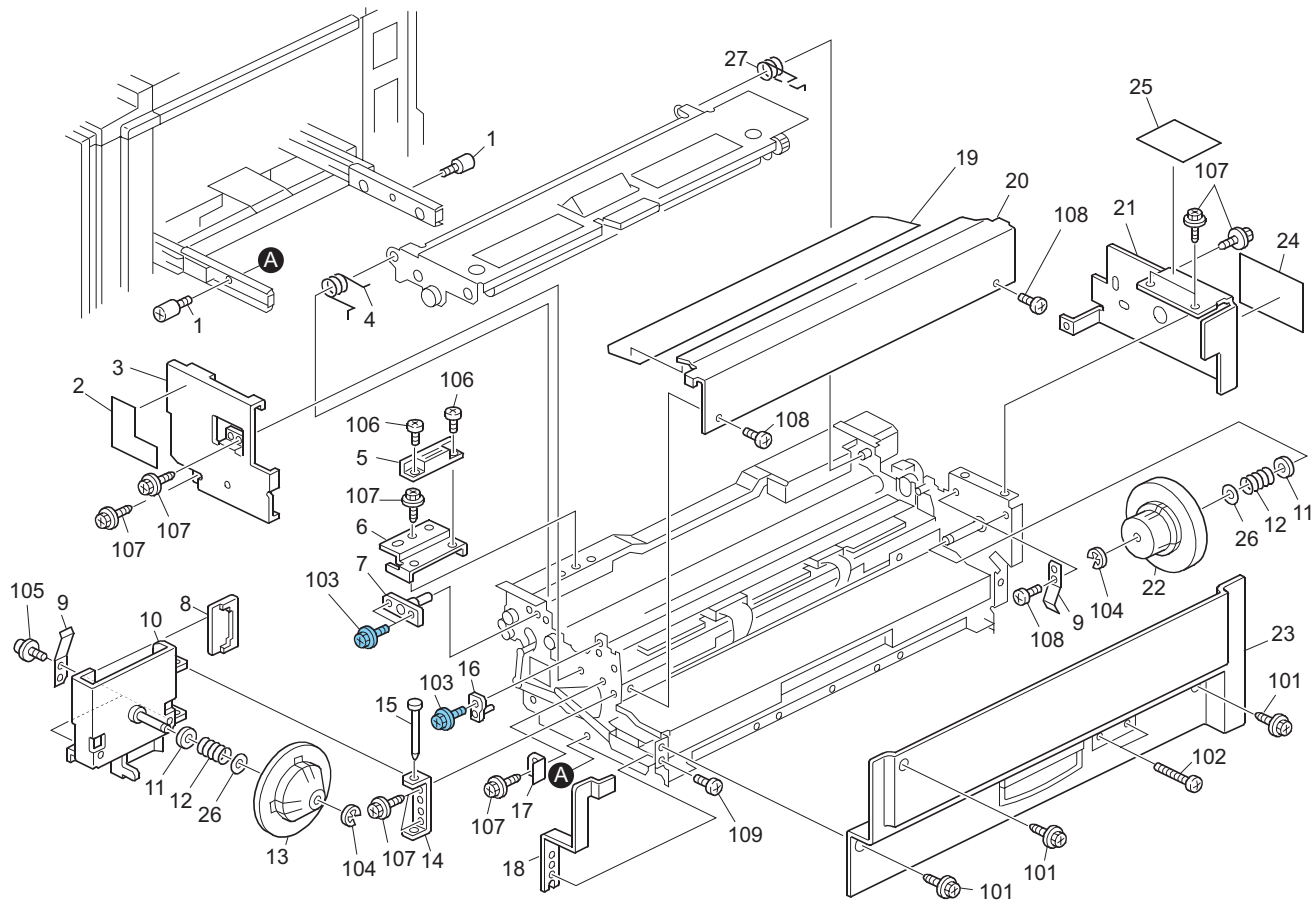
29.Scanner Unit 2



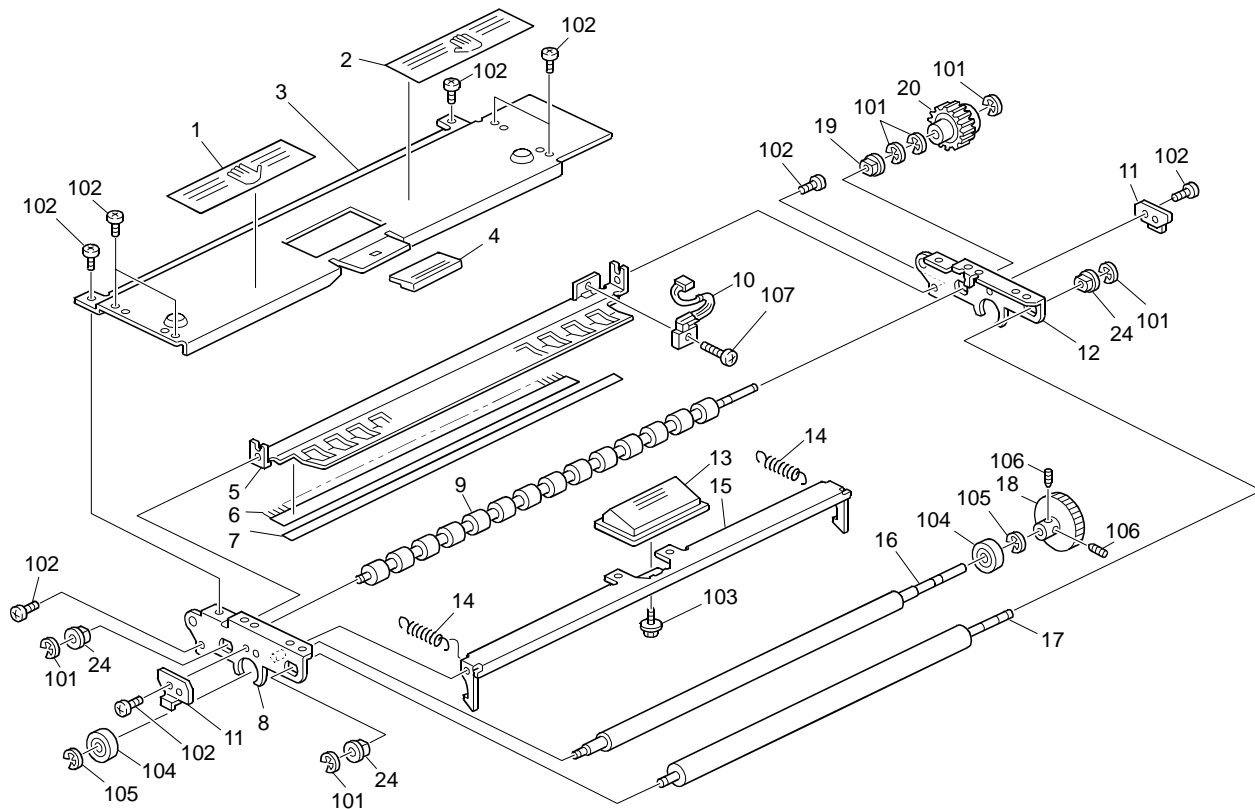
30.Scanner Unit 3



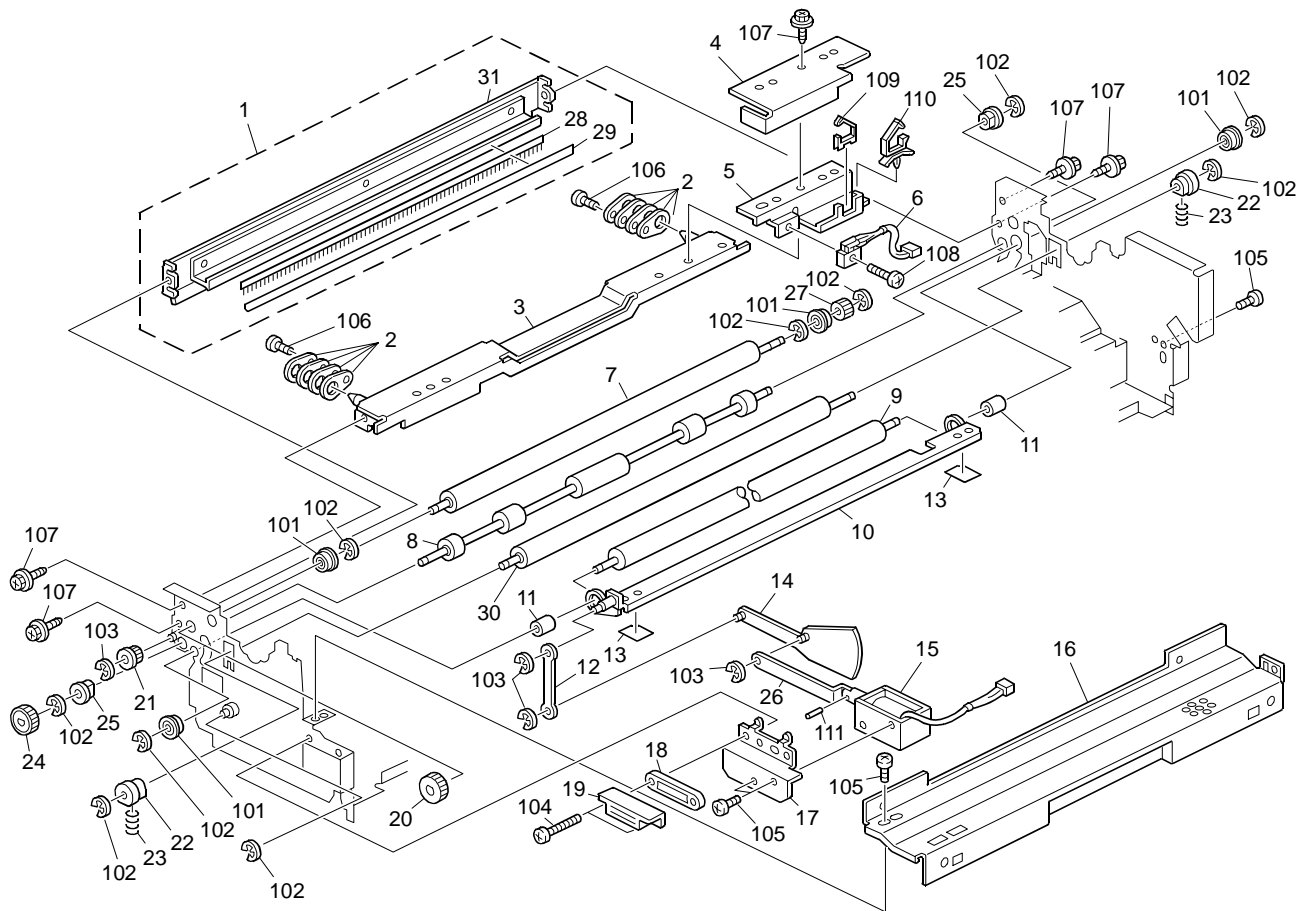
31. Plotter Unit 1



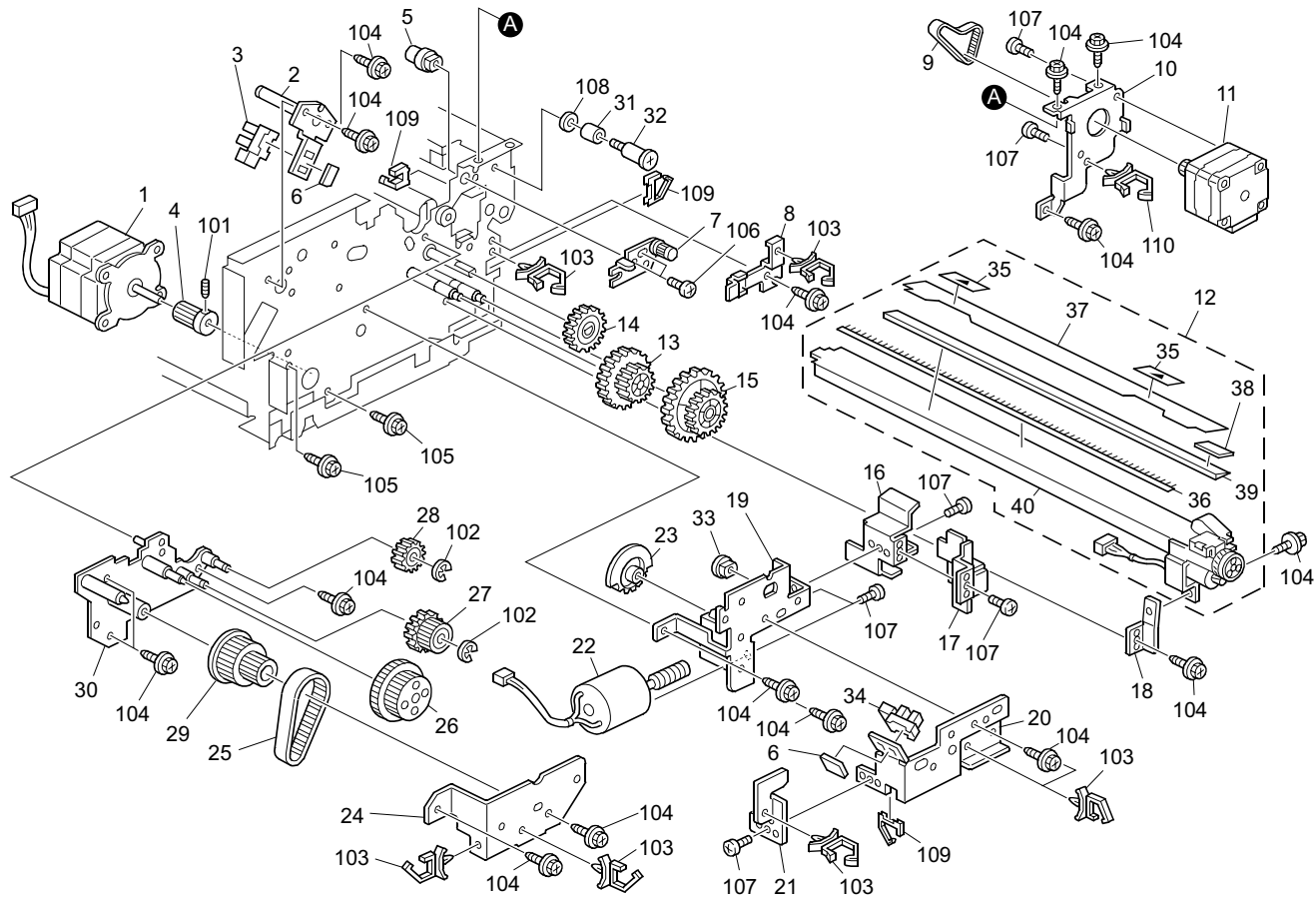
32. Plotter Unit 2



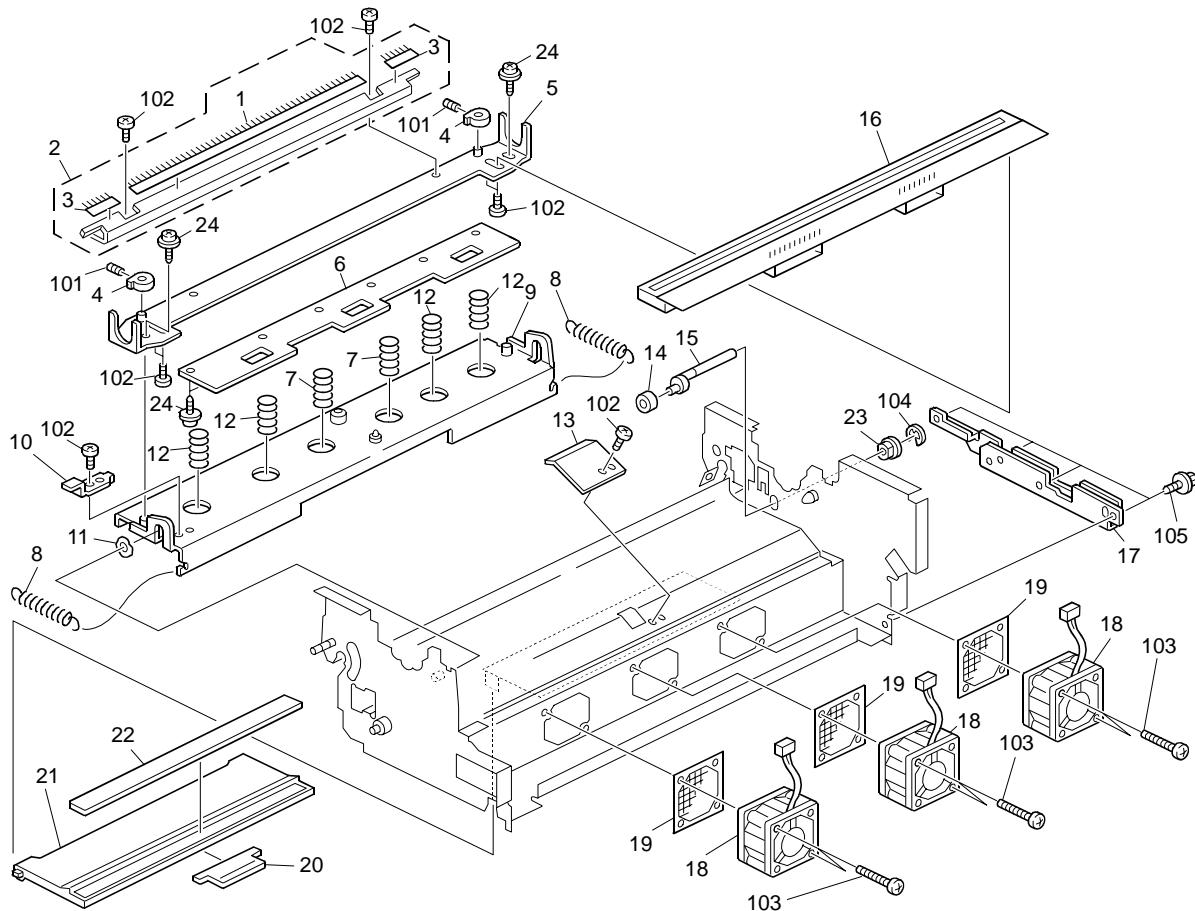
33. Plotter Unit 3



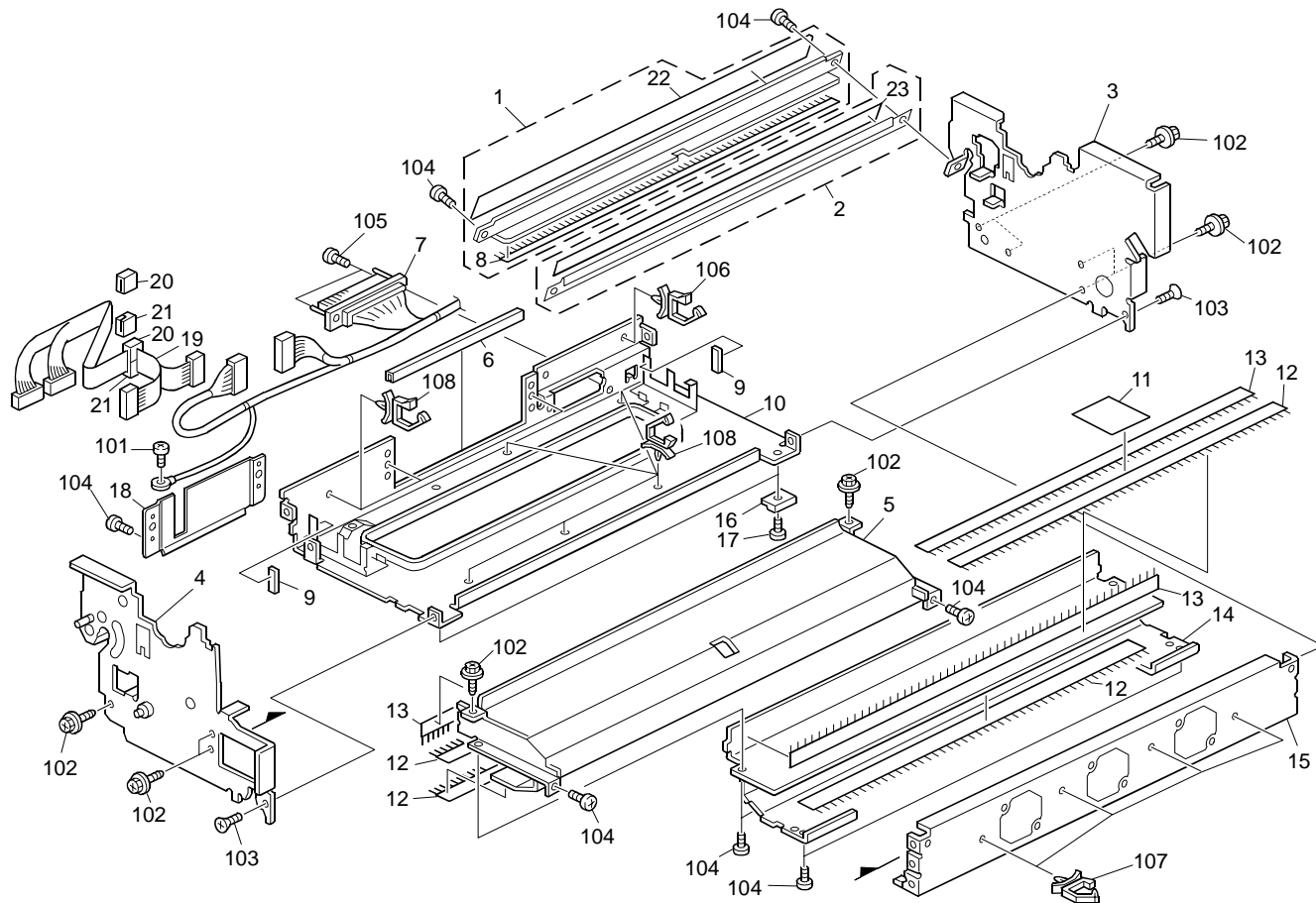
34. Plotter Unit 4



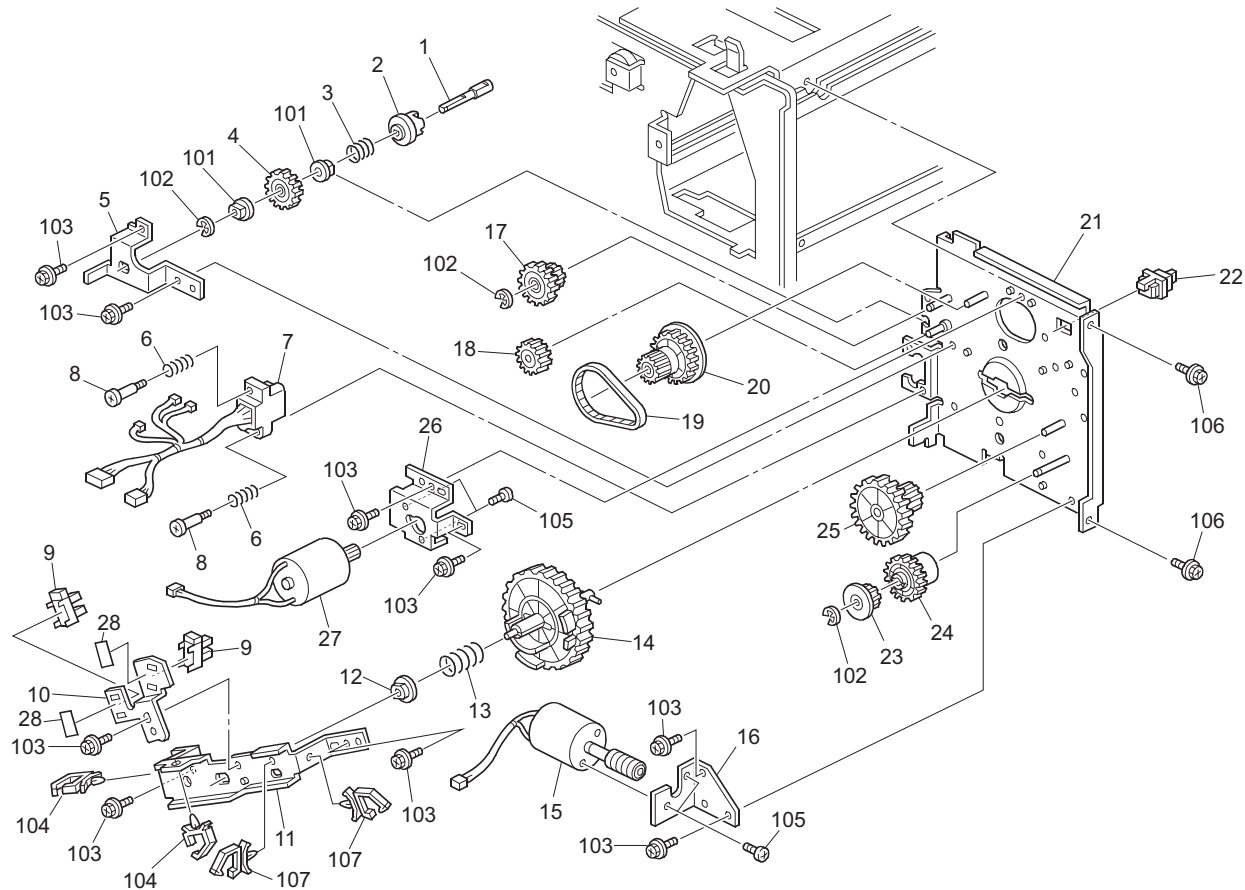
35. Plotter Unit 5



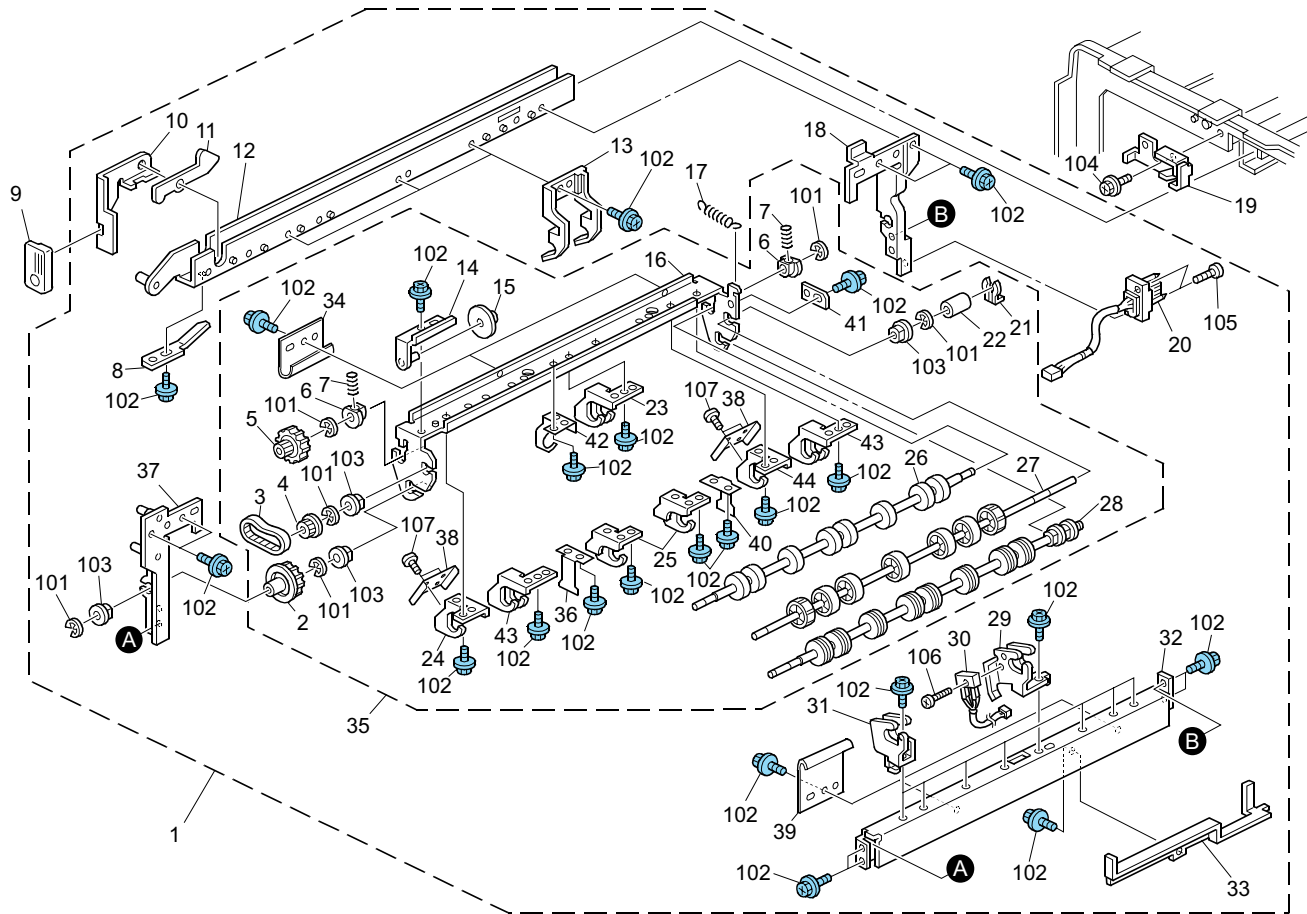
36. Plotter Unit 6



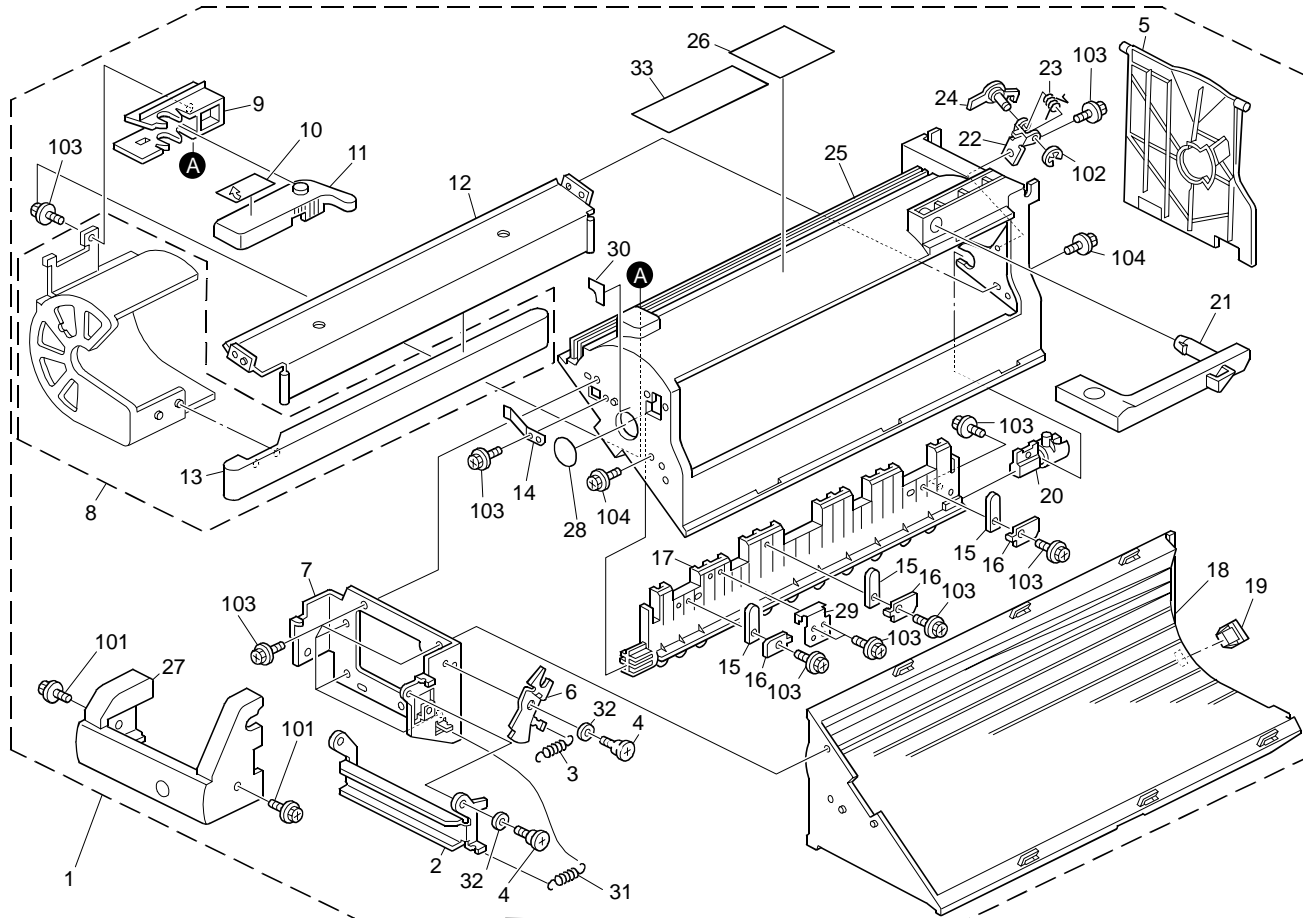
37.Master Eject 1



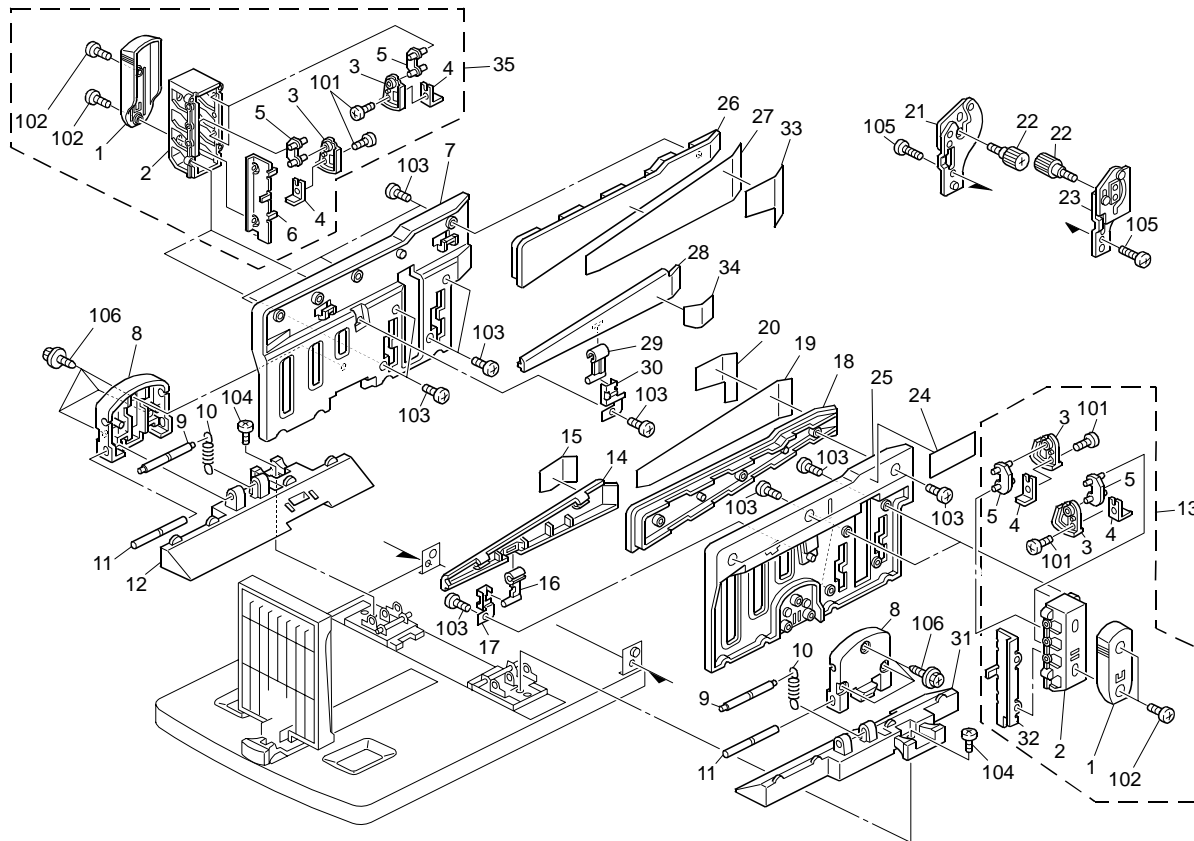
38.Master Eject 2



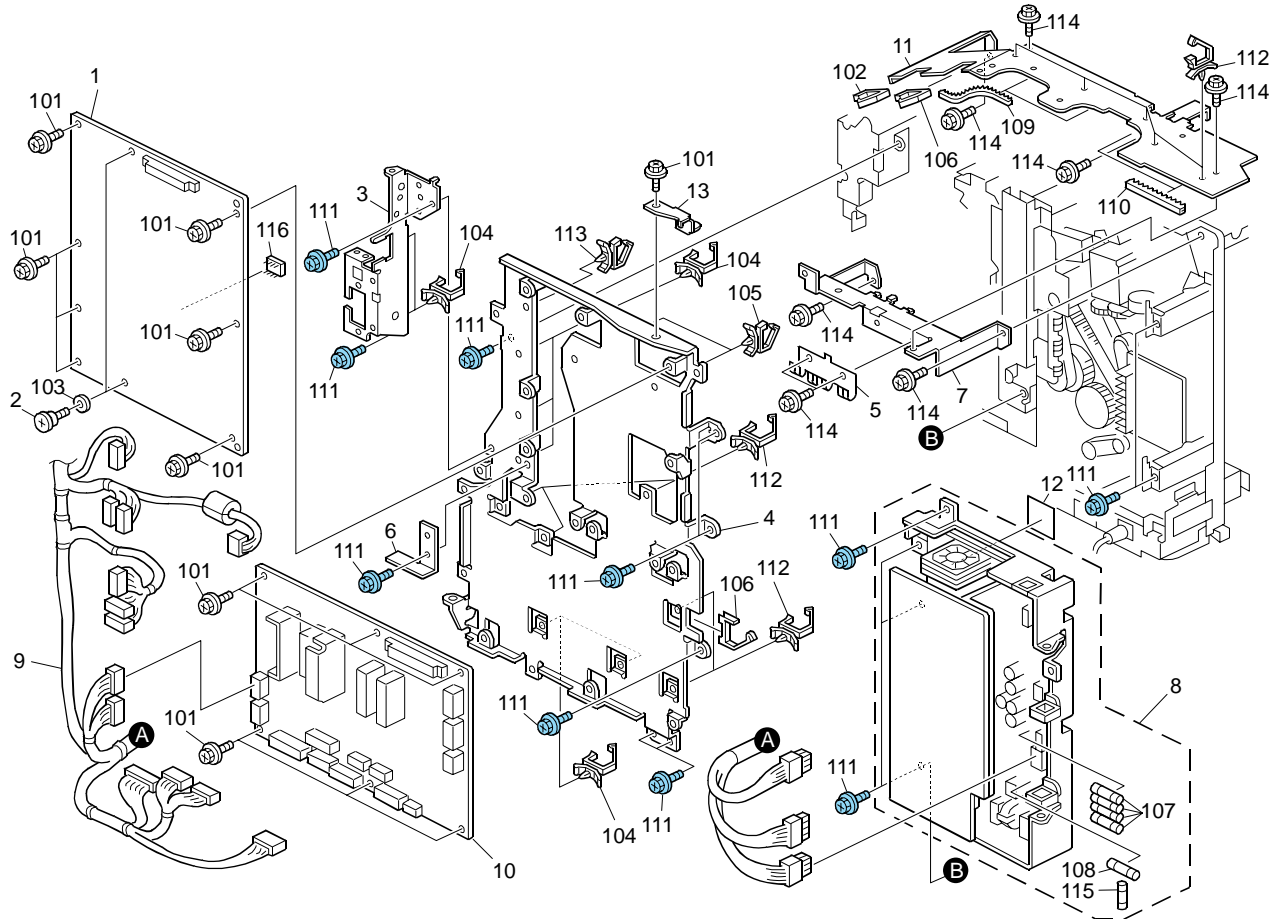
39.Master Eject 3



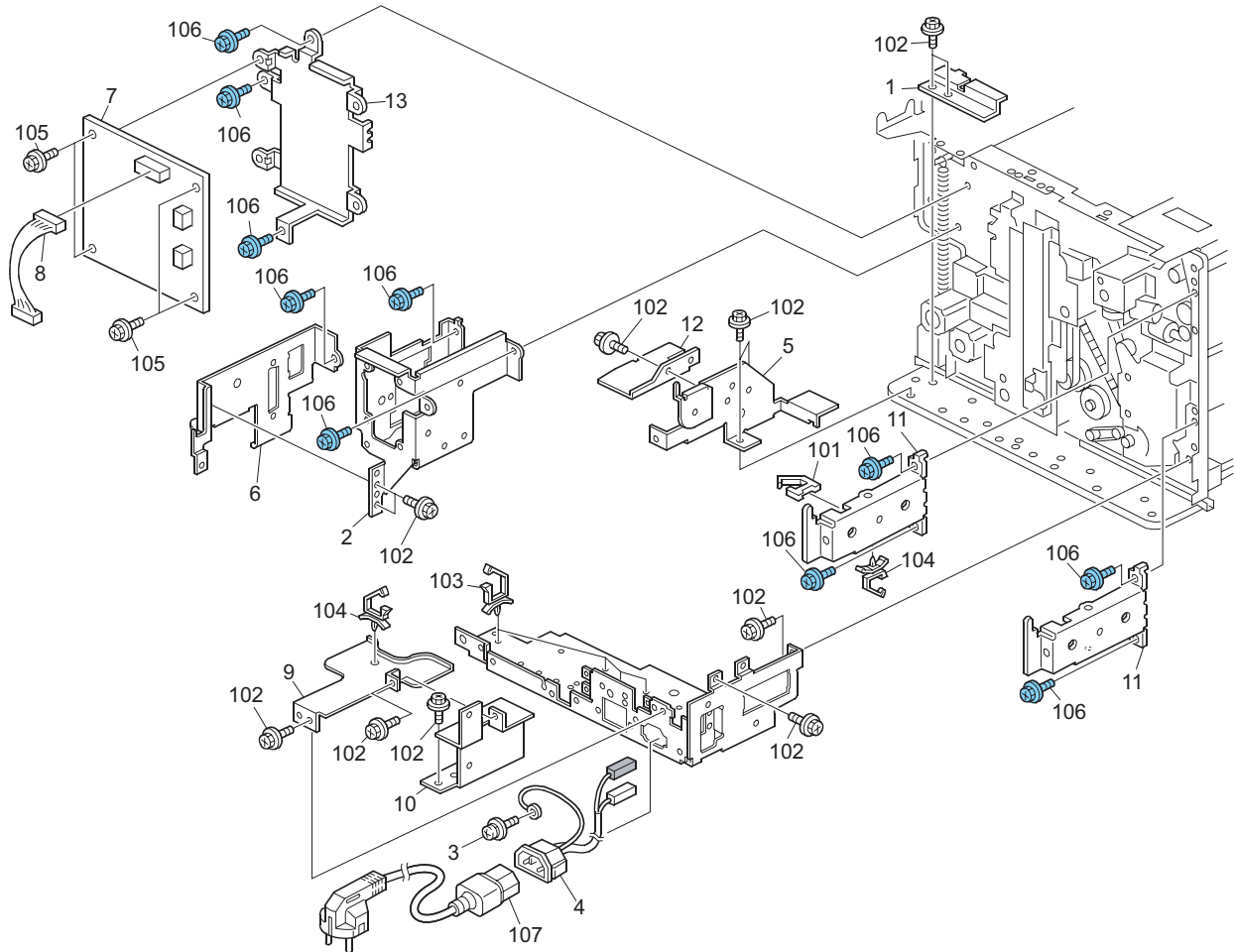
40. Paper Delivery Table



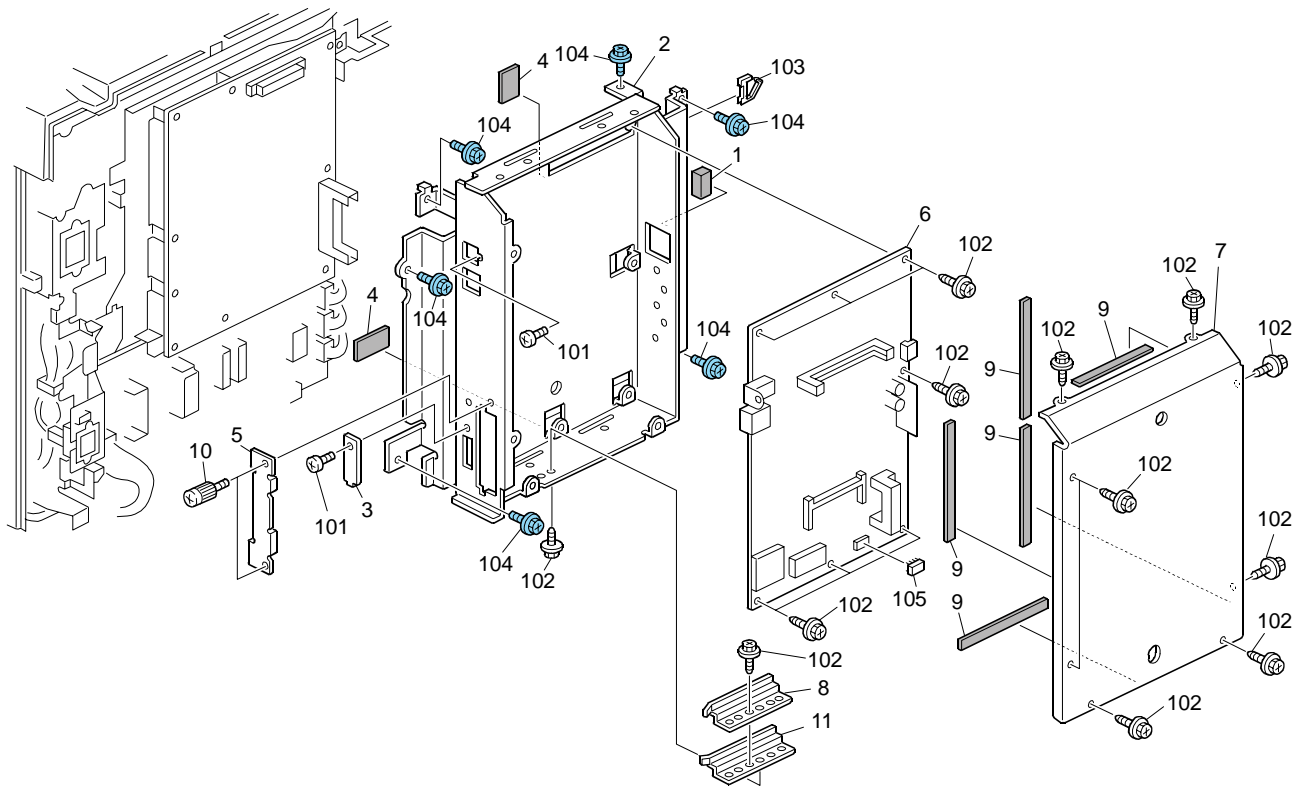
41.Electrical Section 1



42. Electrical Section 2



43. Controller Board



44. Decals and Documents

<p>1</p>	<p>3</p>	<p>11</p>	<p>14</p>	<p>17</p>	
<p>2</p>	<p>4</p>	<p>12</p>	<p>15</p>	<p>18</p>	
<p>6</p>	<p>8</p>	<p>13</p>	<p>16</p>	<p>20</p>	<p>22</p>
<p>7</p>	<p>9</p>	<p>21</p>	<p>22</p>		
<p>10</p>	<p>23</p>				

PARTS INDEX

Parts Index

Part No.	Description	Page and Index No.
A049 3371	MAGNET	79 - 19
A100 1714	REFLECTOR	59 - 9
A193 1766	WIRE CLAMP	59 - 14
A193 1769	CLAMP - REAR WIRE	59 - 19
A250 1752	EXPOSURE GLASS	57 - 11
A250 1791	2ND SCANNER SHOE	59 - 16
A250 5725	ROCKER SWITCH	13 - 24
A267 1089	GROUNDING PLATE - UPPER REAR	57 - 18
A376 1257	SPACER - M4X6X6	69 - 31
A659 1272	DOOR CATCH	3 - 8
B065 1374	CLOTH - DF EXPOSURE GLASS	3 - 21
B065 4180	SPACER - 16MM	63 - 24
B180 1743	SBU WASHER	17 - 26
B213 5225	LCD:HVGA:SH:BL	7 - 12
B223 1317	SCREW	29 - 16
B238 1715	STEPPER MOTOR DC3.9V	61 - 2
B238 1762	GROUND PLATE - STEPPER MOTOR	61 - 4
B238 1792	TIMING BELT - 157ST1.5-4.0	61 - 5
B238 1793	BUSHING SPACER	61 - 3
B238 1803	DOCUMENT FEEDER BRACKET	57 - 3
B238 1807	PULLEY	59 - 5
B390 1759	SHAFT:SCALE	57 - 13
B700 4327	TIMING BELT:B40S2M90	69 - 9
B830 3504	TIMING BELT - 40S2M100	45 - 7
C200 3712	PULLEY	27 - 14
C201 4604	DRUM RAIL ROLLER	29 - 5
C201 4604	DRUM RAIL ROLLER	47 - 23
C207 4672	GEAR - 36Z	19 - 26
C209 3615	SPACER - 6*12*3	17 - 27
C209 4114	GEAR - 20/27Z	27 - 17
C209 5092	RUBBER PLATE LEVER	23 - 13
C209 6163	SPACER - 10X18X1	63 - 10
C217 5102	SPRING WASHER	17 - 25

Part No.	Description	Page and Index No.
C217 5102	SPRING WASHER	47 - 3
C218 2525	STEPPED SCREW - M4	41 - 7
C218 4038	BUSHING WASHER - M8	71 - 11
C219 4071	GEAR - 17Z	69 - 4
C229 1039	MOTOR GEAR	15 - 15
C229 1064	BALL BEARING 68000ZZ	15 - 17
C229 1083	REAR GUIDE SHAFT	39 - 25
C229 1096	STAND M28	9 - 2
C229 1121	RELAY GEAR SHAFT	19 - 13
C229 1130	RELAY GEAR ASS'Y	19 - 9
C229 1136	TIMING PULLEY - JOB SEPARATOR	39 - 29
C229 1137	DRIVE RELAY GEAR	39 - 38
C229 1139	TIMING BELT - S2M190	39 - 26
C229 1140	FEED ROLLER DRIVE GEAR	19 - 27
C229 1142	TIMING BELT - S5M780	19 - 8
C229 1151	GEAR PULLEY	15 - 10
C229 1154	TIMING BELT	15 - 3
C229 1155	DRIVEN SHAFT GEAR	39 - 40
C229 1160	DIAL ADJUSTER	39 - 4
C229 1161	DIAL DRIVE PULLEY - 20Z	39 - 3
C229 1163	TIMING BELT - S3M118Z	39 - 1
C229 1175	WORM WHEEL	17 - 16
C229 1177	SHIFT SENSOR ENCODER	51 - 12
C229 1187	TIMING BELT - PRESSURE CYLINDER DRIVE	19 - 3
C229 1198	LOWER TIMING PULLEY - CYLINDER DRIVE	19 - 25
C229 1979	STAY - PLOTTER COVER	63 - 17
C229 2006	BUSHING	67 - 22
C229 2058	LOWER GUIDE LINK	67 - 26
C229 2102	DRIVE GEAR - 26Z	69 - 14
C229 2102	DRIVE GEAR - 26Z	75 - 4
C229 2103	WORM GEAR	69 - 15
C229 2104	IDLE GEAR	69 - 13
C229 2107	ACTUATOR GEAR	69 - 23

Part No.	Description	Page and Index No.
C229 2112	RELEASE CAM	71 - 15
C229 2113	RELEASE ROLLER	71 - 14
C229 2189	MASTER FLANGE SPRING	63 - 16
C229 2281	MASTER TENSION ROLLER	9 - 1
C229 2281	MASTER TENSION ROLLER	13 - 13
C229 2391	STOPPER BRACKET	47 - 48
C229 2392	STOPPER GUIDE	47 - 49
C229 2394	SPRING PLATE	47 - 28
C229 2396	SPRING PLATE	47 - 22
C229 2399	DECAL - DRUM OPERATION	47 - 21
C229 2399	DECAL - DRUM OPERATION	89 - 1
C229 2405	DRUM STOPPER ARM	47 - 18
C229 2406	DRUM LOCK SPRING	47 - 19
C229 2423	FIXING PLATE	49 - 12
C229 2428	SLIDER	49 - 9
C229 2435	DRIVE GEAR - 50Z	49 - 24
C229 2451	INK ROLLER	55 - 16
C229 2458	DOCTOR ROLLER	55 - 19
C229 2459	GEAR - 37Z	55 - 4
C229 2473	ADJUSTING PLATE - DOCTOR ROLLER	55 - 5
C229 2478	GEAR - 19Z	55 - 3
C229 2479	SUPPORT STAY	55 - 13
C229 2488	INK HOLDER SLIDER	51 - 5
C229 2490	INK BOTTLE BRACKET	53 - 4
C229 2491	INK SENSOR BRACKET	53 - 7
C229 2493	RIGHT INK HOLDER	51 - 2
C229 2496	RIGHT GUIDE - SLIDE RAIL	51 - 1
C229 2499	LEFT GUIDE - SLIDE RAIL	51 - 4
C229 2500	LEFT INK HOLDER	51 - 3
C229 2542	HARNES COVER	53 - 16
C229 2544	INK ROLLER RING	55 - 37
C229 2558	MOTOR BRACKET	53 - 2
C229 2563	SENSOR BRACKET	53 - 12

Part No.	Description	Page and Index No.
C229 2571	SHIFT MOTOR BRACKET	51 - 13
C229 2576	WORM GEAR	51 - 16
C229 2580	SLIDE FIXED PLATE	51 - 20
C229 2581	DRUM H.P SENSOR BRACKET	51 - 18
C229 2582	DRUM SHIFT SENSOR BRACKET	51 - 14
C229 2583	SLIDER	51 - 19
C229 2605	CLAMPER SEAL	49 - 7
C229 2609	SPRING PLATE	51 - 21
C229 2615	SLIDE RAIL ROLLER	9 - 7
C229 2624	SHIFT DRIVE GEAR	51 - 17
C229 2626	DRUM POSITION PLATE - SMALL	13 - 20
C229 2647	DRUM SHAFT	49 - 17
C229 2780	SIDE FENCE RACK - RIGHT	23 - 25
C229 2781	SIDE FENCE RACK	23 - 19
C229 2784	GROUNDING PLATE	23 - 20
C229 2793	SIDE FENCE STOPPER	23 - 7
C229 2794	TENSION SPRING PLATE	23 - 21
C229 2820	PRESSURE RELEASE PLATE	25 - 21
C229 2824	GEAR - 20Z	25 - 3
C229 2829	LIFT UP SHAFT	25 - 4
C229 2840	PAD	25 - 14
C229 2846	SHEET:GUIDE PLATE:PAPER FEED ROLLER	31 - 31
C229 2856	WORM WHEEL GEAR - 14Z/40Z	27 - 12
C229 2857	GEAR - 14Z/42Z	27 - 45
C229 2857	GEAR - 14Z/42Z	29 - 13
C229 2858	SEPARATION CONTROL RACK	27 - 9
C229 2862	PAPER PRESSURE LEVER	27 - 21
C229 2863	BUSHING	27 - 22
C229 2907	REGISTRATION ROLLER PULLEY - 14Z	33 - 25
C229 2946	MOTOR PULLEY	21 - 18
C229 2947	DRIVE PULLEY - PAPER SEPARATION	27 - 1
C229 2948	TIMING BELT - 80-XL-050	21 - 21
C229 2950	FEED ROLLER DRIVE PULLEY	27 - 35

Part No.	Description	Page and Index No.
C229 2952	SPRING PLATE - PAPER TRAY	23 - 26
C229 2954	SPRING PLATE	23 - 30
C229 3133	CONTROL PLATE - CAM DRIVE	39 - 41
C229 3135	BUSHING - CAM SHAFT	39 - 6
C229 3145	WORM WHEEL - 50Z/16Z	17 - 3
C229 3145	WORM WHEEL - 50Z/16Z	39 - 16
C229 3145	WORM WHEEL - 50Z/16Z	43 - 25
C229 3146	GEAR - 80Z/16Z	39 - 15
C229 3148	BUSHING	39 - 13
C229 3164	RELEASE SHAFT ARM	37 - 8
C229 3181	ADJUSTING CAM	19 - 28
C229 3182	PRESSURE CYLINDER GEAR	19 - 29
C229 3194	PRESSURE CYLINDER GEAR	39 - 42
C229 3196	JOINT FLANGE	19 - 23
C229 3196	JOINT FLANGE	35 - 3
C229 3207	RING - M14	37 - 12
C229 3227	PRESSURE CYLINDER SHAFT GUIDE	37 - 16
C229 3476	SPRING PLATE	77 - 8
C229 3478	ROLLER UNIT ARM	77 - 10
C229 3481	COLLAR - 6MM	77 - 22
C229 3486	BUSHING - MASTER EJECT ROLLER	77 - 6
C229 3494	MASTER PRESS ARM SHAFT	79 - 20
C229 3495	MASTER STRIPPER PAWL	79 - 15
C229 3502	SLIDE LOCK LEVER	79 - 11
C229 3505	UPPER CASE RELEASE LEVER	79 - 24
C229 3513	UPPER CASE GRIP	79 - 21
C229 3514	GROUNDING PLATE	79 - 14
C229 3529	DECAL - DELIVERY TABLE SLIDER	79 - 10
C229 3529	DECAL - DELIVERY TABLE SLIDER	89 - 2
C229 3530	DRIVEN PULLEY - 18Z	77 - 4
C229 3531	GEAR/PULLEY - 26Z/16T	77 - 5
C229 3532	TIMING BELT - S2M76	77 - 3
C229 3536	BELT TENSION COLLAR	77 - 15

Part No.	Description	Page and Index No.
C229 3537	TRANSPORT LOWER GEAR - 26Z	77 - 2
C229 3542	3RD GEAR - 22Z	75 - 18
C229 3544	GEAR PULLEY - 18Z/60Z	75 - 20
C229 3545	2ND GEAR - 8Z/32Z	75 - 17
C229 3547	JOINT CAM	75 - 2
C229 3548	JOINT SHAFT	75 - 1
C229 3551	TIMING BELT - S2M160	75 - 19
C229 3557	GEAR - 17Z	75 - 23
C229 3558	2ND GEAR - 18Z/49Z	75 - 25
C229 3582	POSITIONING SENSOR BRACKET	75 - 10
C229 3585	SECTOR GEAR	39 - 35
C229 3586	DRIVEN GEAR	39 - 36
C229 3872	TIMING PULLEY	43 - 13
C229 3874	TRANSPORT BELT	43 - 3
C229 3878	KNOB	43 - 17
C229 3911	GEAR - 25Z/51Z	43 - 24
C229 3961	DRIVE PULLEY	39 - 27
C229 3966	DRIVE GEAR	39 - 28
C229 3977	PAPER EXIT PAWL SHAFT	11 - 3
C229 4053	GUIDE PIN	21 - 4
C229 4056	WORM GEAR	21 - 10
C229 4675	SEPARATOR COVER SHAFT	41 - 15
C229 4708	SCREW SHAFT	45 - 10
C229 4709	SCREW SHAFT BOSS	45 - 14
C229 4711	TIMING PULLEY	45 - 11
C229 4715	SLIDE DRIVE GEAR	45 - 13
C229 4718	SLIDER HOLDER	45 - 16
C229 4724	HARNESS CLAMP	45 - 9
C229 4725	SEPARATOR SLIDER	45 - 17
C229 4726	SEPARATOR ARM LINK	45 - 19
C229 4729	SEPARATOR ARM	45 - 21
C229 4734	SLIDER SPRING PLATE	45 - 15
C229 5212	INK SENSOR HARNESS	47 - 8

Part No.	Description	Page and Index No.
C229 5646	SAFETY SWITCH SPRING	13 - 9
C230 2199	MAGNET CATCH SPACER	67 - 18
C233 1065	SCREW M3X4	15 - 18
C233 1074	TORQUE LIMITER 55KGF CM	15 - 19
C233 1079	SHIELDED SLEEVE:TORQUE LIMITER	15 - 20
C233 1092	TIMING PULLEY:DRIVE:DRUM	19 - 11
C233 1093	HEXAGONAL SET SCREW:LOCK:M4X20	19 - 6
C233 1138	DRIVE SHAFT	39 - 37
C233 1290	DECAL - CAPTION LED	5 - 7
C233 1290	DECAL - CAPTION LED	89 - 3
C233 2215	SOLENOID COVER	67 - 17
C233 2493	INK SENSOR TERMINAL	53 - 8
C233 2496	INK SENSOR TERMINAL - CENTER	53 - 21
C233 2625	DRUM POSITION PLATE	13 - 11
C233 2645	REAR DRUM FRAME STAND	47 - 30
C233 3191	JOINT CORE	17 - 30
C233 3902	DISCHARGE BRUSH - ADJUSTING PLATE	43 - 11
C233 4405	ANTISTATIC BRUSH	41 - 13
C233 4446	ADJUSTING PLATE - BASE	41 - 11
C233 4655	HARNES COVER SHEET	45 - 26
C235 2786	RIGHT SIDE FENCE SLIDER ASS'Y	23 - 16
C235 2791	RIGHT SIDE FENCE	23 - 15
C235 2796	LEFT SIDE FENCE SLIDER ASS'Y	23 - 6
C235 2802	LEFT SIDE FENCE ASS'Y	23 - 14
C235 2813	DECAL - SIDE FENCE - RIGHT	23 - 42
C235 2813	DECAL - SIDE FENCE - RIGHT	89 - 4
C235 2814	DECAL - SIDE FENCE - LEFT	23 - 43
C235 2814	DECAL - SIDE FENCE - LEFT	89 - 5
C235 2815	LOCK LEVER - RIGHT SIDE FENCE	23 - 38
C235 2816	RIGHT LOCK LEVER SPRING PLATE ASS'Y	23 - 40
C235 2817	SPRING PLATE:LEVER:LOCK:RIGHT	23 - 39
C235 2818	PAD:LEVER:LOCK	23 - 36
C235 2819	LOCK LEVER - LEFT SIDE FENCE	23 - 34

Part No.	Description	Page and Index No.
C235 2820	LEFT LOCK LEVER SPRING PLATE ASS'Y	23 - 37
C235 2821	SPRING PLATE:LEVER:LOCK:RIGHT	23 - 35
C235 4492	RIGHT FRONT PAPER GUIDE	41 - 8
C235 4494	RIGHT REAR PAPER GUIDE	41 - 21
C235 4495	ANTISTATIC BRUSH	41 - 22
C236 2004	COMPRESSION SPRING	67 - 23
C236 2010	LOWER SPACER - REVERSE ROLLER	67 - 11
C236 2011	PULLEY - UPPER REVERSE ROLLER	67 - 27
C236 2021	SLOW DOWN PULLEY	69 - 29
C236 2022	IDLER GEAR - PLATEN	69 - 26
C236 2024	IDLER GEAR - TENSION	69 - 27
C236 2066	RIGHT DUCT GUIDE PLATE	73 - 15
C236 2082	PLATEN GEAR	65 - 18
C236 2093	COMPRESSION SPRING - 6.9N	71 - 12
C236 2190	MASTER PRESSURE SPRING	63 - 11
C236 2222	TIMING BELT - B106MXL9.5	69 - 25
C236 2359	CONNECTOR SLIDER	47 - 10
C236 2370	LEVER COLLAR	47 - 33
C236 2464	SIDE PLATE STAY	55 - 30
C236 2465	GROUND PLATE - INK ROLLER	55 - 21
C236 2466	MIDDLE DRIVE GEAR	55 - 15
C236 2468	BEARING HOLDER	55 - 2
C236 2498	DRUM METAL SCREEN SHIELD	49 - 28
C236 2540	OIL SUPPLY ROLLER ASS'Y	55 - 14
C236 2547	SHIFT MOTOR COVER	51 - 10
C236 2562	FRONT SPRING	55 - 26
C236 2564	WORM WHEEL GEAR	55 - 28
C236 2565	INK MIDDLE GEAR	55 - 29
C236 2566	RETURN GEAR	55 - 11
C236 2575	INK SUPPLY ROLLER ARM	55 - 8
C236 2595	CLAMP PROTECTION	49 - 20
C236 2608	SWITCH ARM	47 - 26
C236 2848	SLIDER BUSHING	29 - 28

Part No.	Description	Page and Index No.
C236 2851	UPPER SLIDER	29 - 29
C236 2860	SEPARATION RACK ASS'Y	29 - 17
C236 2862	GEAR - 32Z/14Z	27 - 16
C236 2862	GEAR - 32Z/14Z	29 - 34
C236 2863	GEAR - 24Z	29 - 12
C236 2864	WORM WHEEL - GEAR	29 - 23
C236 2865	WORM WHEEL - GEAR	29 - 24
C236 2866	RUBBER WASHER	29 - 25
C236 2880	SEPARATION PAD HOLDER BRACKET	29 - 6
C236 2881	SEPARATION PAD HOLDER BRACKET	29 - 4
C236 3237	COLLAR 6X11.2X1.5	35 - 22
C236 3238	COLLAR 6X8X12.5	35 - 10
C236 3248	SLIDER EXIT PAWL	35 - 18
C236 3259	BALL BEARING-5X11X4	35 - 25
C236 3501	EJECT BOX SLIDER	79 - 9
C236 3525	RELEASE SPRING	79 - 31
C236 3978	EXIT PAWL	11 - 1
C236 5673	HDD GROUND PLATE	17 - 9
C236 5673	HDD GROUND PLATE	83 - 5
C238 1339	KEY COUNTER PLATE NUT	5 - 11
C238 2835	PAPER FEED ROLLER	27 - 29
C238 2947	PICK-UP PULLY	27 - 34
C238 3556	TORQUE LIMITER - 2500G	75 - 24
C239 1182	GUARD:CE-012S:23.5MM	73 - 9
C239 1356	DECAL- CYLINDER OPERATION	5 - 3
C239 1356	DECAL- CYLINDER OPERATION	89 - 6
C239 1993	REAR PLOTTER SLIDE RAIL SPACER	71 - 17
C239 2064	LOWER DUCT COVER	71 - 21
C239 2066	DUCT COVER GRIP	71 - 20
C239 2276	PLOTTER FRONT SLIDE RAIL SPACER	9 - 12
C239 2820	PAPER FEED GUIDE PLATE COVER	25 - 31
C239 2925	DOUBLE FEED SENSOR UPPER BRACKET	33 - 4
C239 2927	LOWER FEED ROLLER GUIDE PLATE	33 - 20

Part No.	Description	Page and Index No.
C239 2929	CABLE BRACKET	33 - 6
C239 2937	PRESSURE RELEASE CAM	21 - 16
C239 3528	DECAL - MASTER EJECT BOX	79 - 26
C239 3528	DECAL - MASTER EJECT BOX	89 - 7
C239 4401	FRONT EXIT BRACKET	41 - 24
C239 4404	REAR EXIT BRACKET	41 - 23
C239 4491	PAPER GUIDE - FRONT	41 - 10
C239 4492	PAPER GUIDE - REAR	41 - 9
C239 4493	BASE:GUIDE:EXIT:RIGHT FRONT	41 - 29
C239 4497	BASE:GUIDE:EXIT:RIGHT REAR	41 - 30
C239 4673	SEPARATOR COVER	41 - 17
C244 1036	DRIVE BRACKET	15 - 11
C244 1040	HOLDER:BEARING CASE:PEEN	15 - 12
C244 1044	SPACER	39 - 45
C244 1048	TENSION BRACKET	15 - 14
C244 1048	TENSION BRACKET	17 - 8
C244 1067	TENSION HOLDER	15 - 22
C244 1075	STAY:LEFT	39 - 20
C244 1082	SHAFT:HALE UNIT:FRONT	39 - 10
C244 1090	SHAFT:DRIVE:DRUM:ASS'Y	19 - 18
C244 1093	TIMING PULLEY BRACKET	19 - 7
C244 1098	PAN HEAD SCREW:LOCK:M4X4	19 - 33
C244 1099	SCREW M4X6	19 - 21
C244 1124	SECTOR GEAR - IMAGE SHIFT	19 - 10
C244 1126	SHIELDING PLATE:POSITIONING SENSOR	19 - 14
C244 1127	GUIDE PLATE:HEAVEN AND EARTH:RIGHT	19 - 1
C244 1128	BRACKET:SUPPORTING PLATE:DRIVE	17 - 7
C244 1145	ROLLER:BELT TENSIONER:ASS'Y	15 - 2
C244 1145	ROLLER:BELT TENSIONER:ASS'Y	17 - 21
C244 1162	PULLEY SPACER	39 - 2
C244 1164	BRACKET DIAL ASS'Y	39 - 9
C244 1167	PULLEY:DRIVEN:ASS'Y	39 - 8
C244 1173	DIAL SPRING	15 - 5

Part No.	Description	Page and Index No.
C244 1254	CUSHION - FRONT DOOR	3 - 5
C244 1258	DOOR SUPPORT PLATE	3 - 4
C244 1259	DOOR CATCH BRACKET	3 - 9
C244 1264	SAFETY SWITCH BRACKET	3 - 3
C244 1272	LEFT COVER BRACKET	13 - 2
C244 1291	SUPPORT PLATE - RIGHT LOWER	23 - 29
C244 1994	PLOTTER SLIDE RAIL SCREW	63 - 27
C244 2016	SCREW:GUIDE	69 - 32
C244 2042	GUIDE PLATE:DUCT:OPEN AND CLOSE:ASS'Y	67 - 10
C244 2047	RIGHT REVERSE ROLLER GUIDE	67 - 13
C244 2052	ARM:OPEN AND CLOSE:GUIDE PLATE:ASS'Y	67 - 14
C244 2057	LINK:UPPER:OPEN AND CLOSE:GUIDE PLATE	67 - 12
C244 2067	DUCT COVER MAGNET	71 - 22
C244 2068	CASE:DUCT:LOWER:ASS'Y	73 - 14
C244 2098	BRACKET:STOPPER:BASE	71 - 10
C244 2139	COVER:MASTER:LOWER:ASS'Y	67 - 16
C244 2187	SHAFT:FLANGE:MASTER:RIGHT	63 - 14
C244 2188	STAY:FLANGE:FRONT	63 - 13
C244 2193	FRONT BRACKET	63 - 9
C244 2198	MAGNET CATCH:ASS'Y	63 - 4
C244 2198	MAGNET CATCH:ASS'Y	67 - 19
C244 2266	BEARING HOLDER	33 - 1
C244 2267	CONNECTOR SPRING	31 - 14
C244 2277	BRACKET:SLIDE RAIL:REAR:PLOTTER	9 - 11
C244 2353	FRONT MAGNET CATCH BRACKET	47 - 16
C244 2357	SWITCH LEVER KNOB	47 - 6
C244 2360	CONNECTOR BRACKET	47 - 9
C244 2362	DRUM RELEASE GRIP	47 - 17
C244 2365	LEVER SWITCH BRACKET	47 - 7
C244 2377	MAGNET CATCH BRACKET	47 - 13
C244 2385	GRIP RAIL	47 - 20
C244 2390	SCREW:STOPPER:DRUM	47 - 46
C244 2413	DRUM LOCK SCREW	47 - 24

Part No.	Description	Page and Index No.
C244 2419	FLANGE:DRUM:REAR:INNER:ASS'Y	49 - 10
C244 2424	PLATE NUT	49 - 13
C244 2431	DRUM POSITIONING PIN	49 - 11
C244 2434	SHIELDING PLATE	49 - 6
C244 2450	POSITIONING PIN DIA5M4	49 - 18
C244 2451	SCREW:TRANSFER/SEPARATION	47 - 47
C244 2452	SCREW M4X8	39 - 51
C244 2452	SCREW M4X8	47 - 42
C244 2453	LEVER SCREW	47 - 2
C244 2454	SCREW M3X6	53 - 24
C244 2484	HOLDER:INK	51 - 6
C244 2487	INK HOLDER KNOB	51 - 7
C244 2489	HOLDER:INK:2:ASS'Y	51 - 6
C244 2494	INK FRAME SLIDE RAIL - LEFT	53 - 10
C244 2495	INK FRAME SLIDE RAIL - RIGHT	53 - 11
C244 2530	HOSE BAND	53 - 19
C244 2532	INK TUBE	53 - 20
C244 2601	FRONT STEPPED SCREW	49 - 22
C244 2611	RAIL:MACHINE OR COPIER:WELDING	9 - 8
C244 2620	BRACKET:DRUM:LEFT	13 - 10
C244 2631	LIMIT SENSOR BRACKET	39 - 33
C244 2633	STEPPED SCREW	39 - 48
C244 2635	BRACKET:DRUM STAY:FRONT	29 - 35
C244 2636	BRACKET:DRUM STAY:REAR	29 - 36
C244 2644	REAR SIDE PLATE	47 - 31
C244 2751	RIGHT SIDE PLATE	25 - 10
C244 2754	LEFT SIDE PLATE	25 - 6
C244 2755	LIFT UP RACK - PAPER TABLE	25 - 1
C244 2757	PAPER TABLE LOWER STAY	25 - 19
C244 2759	STAY	25 - 8
C244 2763	LOWER SHIELD PLATE	5 - 16
C244 2764	LOWER SHIELD PLATE A	5 - 14
C244 2765	LOWER SHIELD PLATE B	5 - 15

Part No.	Description	Page and Index No.
C244 2777	BRACKET:SENSOR:PAPER TRAY	23 - 31
C244 2778	HARNESSE HOLDER	23 - 32
C244 2785	RIGHT STAY - PAPER TABLE	25 - 28
C244 2786	LEFT STAY - PAPER TABLE	25 - 18
C244 2799	SCREW:LOCK:M4	25 - 17
C244 2804	SIDE FENCE GRIP	23 - 5
C244 2807	PAPER TABLE - FIXED	25 - 29
C244 2810	PAPER SET SENSOR BRACKET	25 - 27
C244 2814	RIGHT ADJUSTING PLATE	25 - 25
C244 2815	LEFT ADJUSTING PLATE	25 - 24
C244 2816	PRESSURE RELEASE ARM - RIGHT	25 - 23
C244 2817	PRESSURE RELEASE ARM - LEFT	25 - 22
C244 2826	ANCHOR PAPER TRAY RIGHT	25 - 7
C244 2827	SPRING ANCHOR - LEFT	25 - 2
C244 2832	DRUM STAY - PAPER FEED ASS'Y	29 - 18
C244 2836	SHAFT:PAPER FEED ROLLER	27 - 26
C244 2838	SHAFT:PICKUP	27 - 30
C244 2839	MAGNET CATCH BRACKET	25 - 12
C244 2840	GUIDE RAIL BASE	29 - 20
C244 2845	PAPER FEED GUIDE PLATE	31 - 20
C244 2848	UPPER PRESSURE PLATE	29 - 27
C244 2855	LOWER PRESSURE PLATE	29 - 15
C244 2860	SPRING BRACKET	27 - 8
C244 2866	HEIGHT SENSOR BRACKET	27 - 25
C244 2871	MOTOR BRACKET	29 - 19
C244 2875	MOTOR BRACKET	29 - 11
C244 2879	SENSOR BRACKET	29 - 2
C244 2880	COVER - SEPARATION SUB-UNIT	29 - 22
C244 2893	RIGHT PRESSURE ARM	33 - 12
C244 2894	LEFT PRESSURE ARM	33 - 10
C244 2898	PRESSURE RELEASE LOCK ARM - RIGHT	33 - 13
C244 2899	PRESSURE RELEASE LOCK ARM - LEFT	33 - 9
C244 2900	PRESSURE RELEASE SHAFT	33 - 11

Part No.	Description	Page and Index No.
C244 2905	FEED ROLLER-UPPER	33 - 8
C244 2919	GUIDE PLATE SPACER	33 - 19
C244 2921	REGISTRATION SENSOR BRACKET	33 - 14
C244 2930	GUIDE PLATE	21 - 14
C244 2931	PULLEY COVER	21 - 13
C244 2949	TIMING BELT:75-MXL-8.0	27 - 33
C244 2955	GROUND PLATE	23 - 27
C244 3090	FEED ENCODERBRACKET	37 - 19
C244 3091	PAPER FEED CONTROL GUIDE	37 - 22
C244 3092	PLATE:ENCODER:FRONT	35 - 1
C244 3093	PAPER FEED CONTROL ENCODER 450PUL	35 - 5
C244 3094	PLATE:ENCODER:REAR	35 - 4
C244 3096	SHIELDING PLATE:PAPER FEED CONTROL	35 - 2
C244 3161	BRACKET:PRESSURE RELEASE:FRONT	37 - 3
C244 3163	BRACKET:PRESSURE RELEASE:REAR	37 - 13
C244 3183	GEAR:PRESS DRAM UNIT:AUXILIARY	19 - 31
C244 3184	STOPPER FLANGE	19 - 30
C244 3185	GEAR ADJUSTER	19 - 4
C244 3186	TENSION SPRING:GEAR:PRESS DRAM	19 - 32
C244 3195	SPACER:GEAR	39 - 34
C244 3205	SHAFT:CONTACT POINT	37 - 17
C244 3206	STOPPER:CONTACT POINT	37 - 1
C244 3226	STOPPER:BEARING:PRESS DRAM UNIT:FRONT	37 - 14
C244 3244	SPRING:CLAMP:4N	35 - 9
C244 3252	GUIDE:DRIVE:PAWL:EXHAUST:ASS'Y	35 - 15
C244 3261	ARM:PAWL:ASS'Y	35 - 13
C244 3281	BRACKET:PRESSURE:SPRING:FRONT	37 - 4
C244 3282	BRACKET:PRESSURE:SPRING:REAR	37 - 24
C244 3310	PAWL:EXHAUST:CLAMP:PEEN	35 - 20
C244 3454	GUIDE:UPPER MIDDLE	77 - 25
C244 3456	STOPPER:UPPER:TRANSPORT ROLLER	77 - 41
C244 3461	STAY:ROLLER:ARM	77 - 16
C244 3462	SIDE PLATE:REAR:SLIDE	77 - 18

Part No.	Description	Page and Index No.
C244 3465	GUIDE:LOWER:TRANSPORT ROLLER	77 - 31
C244 3467	BRACKET:PHOTO REFLECTION SENSOR	77 - 29
C244 3471	GRIP:LOCK:KNOB:PRINTING	77 - 9
C244 3474	LOCK:SLIDE RAIL	77 - 11
C244 3487	SIDE PLATE:FRONT:SLIDE:PEEN	77 - 37
C244 3488	COVER:HARNES:SENSOR	77 - 33
C244 3493	MASTER PRESS ARM	79 - 17
C244 3496	BRACKET:BLADE:PRESSURE PLATE	79 - 16
C244 3497	EJECT BOX GUIDE ASS'Y	79 - 8
C244 3499	SHEET:EXHAUST:GUIDE PLATE:CASE	79 - 13
C244 3509	BRACKET:LOCK:PRESSURE PLATE	79 - 22
C244 3510	DOOR:EXHAUST:CASE:ASS'Y	79 - 5
C244 3517	CASE:LOWER LEFT	79 - 18
C244 3518	DRUM STAY:SHEET:CASE:ADHESION	79 - 12
C244 3521	GRIP:PULL OUT:FIX	79 - 27
C244 3522	STEPPED SCREW	21 - 5
C244 3522	STEPPED SCREW	79 - 4
C244 3523	EJECT BOX LOCK ARM	79 - 6
C244 3524	EJECT BOX LOCK LEVER	79 - 2
C244 3525	TENSION SPRING:9N:GRIP:MASTER EJECTION	79 - 3
C244 3526	BRACKET:GRIP:PULL OUT:FRONT	79 - 7
C244 3533	BRACKET:BELT TENSIONER:PEEN	77 - 14
C244 3543	BRACKET:DC MOTOR:TRANSPORT	75 - 26
C244 3549	BRACKET:JOINT:TRANSPORT	75 - 5
C244 3563	BRACKET:DC MOTOR:PRESSURE	75 - 16
C244 3589	STOPPER:SLIDE RAIL:MACHINE OR COPIER	77 - 19
C244 3596	LOWER GUIDE STAY - TRANSFER ROLLER	11 - 8
C244 3609	GUIDE:MASTER:TRAILING EDGE	77 - 13
C244 3621	GUIDE:EXFOLIATION UNIT:REAR UPPER	77 - 40
C244 3622	GUIDE:EXFOLIATION UNIT:FRONT UPPER	77 - 36
C244 3912	VACUUM PLATE GUIDE ARM	43 - 8
C244 3913	BRACKET:ADJUSTING PLATE:DRIVE:ASS'Y	43 - 22
C244 3930	GUIDE PLATE:HALE UNIT:ASS'Y	39 - 30

Part No.	Description	Page and Index No.
C244 3951	LOWER PAPER EXIT SENSOR BRACKET	39 - 22
C244 3968	LEVER:PAWL:MOVEABLE:EXIT:ASS'Y	11 - 6
C244 3976	STOPPER:LEVER:PAWL:MOVEABLE	39 - 39
C244 4001	SECTOR ARM	21 - 1
C244 4051	LINK	21 - 3
C244 4052	SECTOR ARM	21 - 6
C244 4054	MASTER FEED ARM	21 - 8
C244 4111	TAPPING SCREW	43 - 19
C244 4189	BRACKET:CLAMP:OPEN AND CLOSE:ASS'Y	21 - 11
C244 4426	SHOULDER SCREW	39 - 11
C244 4671	BRACKET:PHOTOINTERRUPTOR:ASSORTMENT	45 - 5
C244 4674	SEPARATOR COVER HINGE	41 - 16
C244 4677	CUSHION	41 - 20
C244 4701	BRACKET:BASE:ASSORTMENT	45 - 8
C244 4702	SUPPORTING PLATE:GUIDE:BRACKET:RISE	45 - 25
C244 4703	BRACKET:RISE:ASSORTMENT:PEEN	45 - 24
C244 4730	PRESSURE STAND:PICKUP:MOVEABLE:ADHESION	45 - 22
C244 5125	STEPPED SCREW - M6	15 - 13
C244 5125	STEPPED SCREW - M6	17 - 23
C244 5125	STEPPED SCREW - M6	27 - 32
C244 5125	STEPPED SCREW - M6	47 - 29
C244 5125	STEPPED SCREW - M6	55 - 6
C244 5126	CAM FOLLOWER PLATE	33 - 24
C244 5614	TOTAL COUNTER BRACKET	13 - 17
C244 5615	GUIDE PLATE:POWER SOURCE:MAIN	85 - 11
C244 5645	SAFETY SWITCH LEVER	13 - 8
C244 5731	PAPER FEED MOTOR BRACKET	21 - 20
C244 5734	FEED PRESSUER MOTOR BRACKET	27 - 7
C244 5805	PHOTOINTERRUPTOR	37 - 21
C250 3573	LOCK LEVER	11 - 15
C250 4390	FRONT UPPER GUIDE	81 - 19
C250 4392	SPARE SIDE FENCE - FRONT	81 - 15
C250 4393	REAR UPPER GUIDE	81 - 27

Part No.	Description	Page and Index No.
C250 4395	SPARE SIDE FENCE - REAR	81 - 34
C256 3574	LOCK SPRING	11 - 14
C256 3576	MICRO HARNESS	11 - 17
C256 3576	MICRO HARNESS	31 - 29
C257 1022	DRUM DRIVE SHAFT ASS'Y	17 - 1
C257 1032	GUIDE PLATE ASS'Y	19 - 12
C257 1035	TORQUE LIMITER DRIVE ASS'Y	15 - 4
C257 1036	TORQUE LIMITER ASS'Y	15 - 7
C257 1060	DRIVE TIMING PULLEY	19 - 2
C257 1065	SPACER	19 - 5
C257 1130	PRESSURE GEAR HOLDER	19 - 16
C257 1131	SPRING WASHER GUIDE	19 - 17
C257 1132	PRESSURE GEAR BRACKET	19 - 15
C257 1143	TENSION SPRING	17 - 24
C257 1170	BRACKET	17 - 17
C257 1176	WORM GEAR SHAFT GEAR	17 - 20
C257 1177	SLOW DOWN GEAR	17 - 19
C257 1179	WORM GEAR SHAFT	17 - 13
C257 1180	FAN BRACKET	9 - 17
C257 1183	UPPER BASE BRACKET	9 - 13
C257 1184	UPPER BASE SHAFT	9 - 21
C257 1951	PLOTTER SIDE PLATE - FRONT	73 - 4
C257 1961	PLOTTER SIDE PLATE - REAR	73 - 3
C257 1963	REAR SHAFT	69 - 5
C257 1970	UPPER BASE STOPPER PIN	63 - 15
C257 1977	FRONT COVER	63 - 2
C257 1980	UPPER BASE FRONT SHAFT	63 - 6
C257 1983	REAR COVER	63 - 20
C257 1985	STAY	67 - 3
C257 1987	POSITIONING SPACER	67 - 2
C257 2002	UPPER TENSION ROLLER	65 - 9
C257 2008	REVERSE ROLLER	67 - 7
C257 2009	TENSION ROLLER	67 - 8

Part No.	Description	Page and Index No.
C257 2010	GEAR 36Z	67 - 20
C257 2011	GEAR 20Z	67 - 24
C257 2012	IDLER GEAR	67 - 21
C257 2018	TORQUE LIMITER	65 - 20
C257 2027	GEAR 22Z	69 - 28
C257 2029	REVERSE ROLLER GUIDE PLATE - LOW/MID	73 - 2
C257 2030	REVERSE ROLLER GUIDE PLATE - LOWER	73 - 1
C257 2031	REVERSE ROLLER BRACKET	69 - 7
C257 2034	REVERSE ROLLER GUIDE PLATE	67 - 1
C257 2035	REVERSE ROLLER GUIDE PLATE	67 - 31
C257 2041	LOWER MIDDLE REVERSE ROLLER GUIDE	73 - 23
C257 2073	DUCT CASE	73 - 5
C257 2078	DISCHARGE BRUSH - LOWER	73 - 12
C257 2079	DISCHARGE BRUSH	73 - 13
C257 2087	THERMAL HEAD STAY	71 - 9
C257 2105	CUTTER UNIT	69 - 12
C257 2109	PRESSURE RELEASE BRACKET	69 - 19
C257 2112	CUTTER UNIT BRACKET	69 - 18
C257 2123	THERMAL HEAD SCREW	71 - 24
C257 2128	ADJUSTING PIN COLLAR	71 - 4
C257 2136	LOWER MASTER PLATE GUIDE	63 - 19
C257 2156	PLATENROLLER PLATE BRACKET	65 - 11
C257 2160	UPPER BASE COVER	65 - 3
C257 2162	OPEN AND CLOSE LEVER	65 - 15
C257 2171	UPPER GUIDE PLATE	65 - 5
C257 2172	OPEN AND CLOSE TENSION SPRING	65 - 14
C257 2175	FRONT TORSION SPRING	63 - 3
C257 2176	REAR TORSION SPRING	63 - 25
C257 2178	LOCK BRACKET	63 - 5
C257 2184	FLANGE MASTER REAR DIA46	63 - 21
C257 2188	MASTER FLANGE BRACKET - REAR	69 - 2
C257 2196	FLANGE MASTER FRONT DIA46	63 - 12
C257 2205	GUIDE PLATE DISCHARGE BRUSH	65 - 6

Part No.	Description	Page and Index No.
C257 2211	CUTTER UNIT PLOTTER	69 - 40
C257 2213	TENSION ROLLER GUIDE ASS'Y	69 - 39
C257 2216	TENSION DISCHARGE BRUSH - LEFT	69 - 36
C257 2218	SENSOR GUIDE PLATE	69 - 38
C257 2221	DISCHARGE BRUSH 207MM TENSION	71 - 1
C257 2222	DISCHARGE BRUSH 20MM TENSION	71 - 3
C257 2226	STEPPER MOTOR BRACKET	69 - 10
C257 2232	HARNESS GUIDE	69 - 16
C257 2234	PRESSURE RELEASE SENSOR BRACKET	69 - 20
C257 2235	REAR HARNESS COVER	69 - 17
C257 2236	PRESSURE RELEASE SENSOR COVER	69 - 21
C257 2239	SENSOR COVER	67 - 4
C257 2241	BASE SPACER	73 - 16
C257 2254	HARNESS COVER	69 - 8
C257 2261	LOCK TENSION SPRING	31 - 24
C257 2263	LOCK STOPPER	31 - 23
C257 2265	MICRO SWITCH LOCK SPACER	31 - 22
C257 2313	DRUM RAIL	47 - 27
C257 2316	SHIELD SCREEN ASS'Y	49 - 5
C257 2353	FRONT HARNESS COVER	47 - 34
C257 2354	FRONT HARNESS COVER	47 - 35
C257 2358	SMALL FRONT COVER	47 - 36
C257 2370	COVER:HARNESS:NO.1	47 - 38
C257 2371	COVER:HARNESS:NO.2	47 - 37
C257 2388	BRACKET:CONNECTOR:DRUM	47 - 40
C257 2410	DRUM DRIVE DISK	49 - 15
C257 2423	DRAM METAL SCREEN SPACER	49 - 26
C257 2424	DRAM METAL SCREEN SPACER	49 - 27
C257 2478	DRAM METAL SCREEN SEAL	49 - 4
C257 2479	FRONT DRAM METAL SCREEN SHIELD	49 - 25
C257 2480	INK HOLDER - SMALL	51 - 25
C257 2485	DRUM SENSOR SHEET	73 - 11
C257 2491	SENSOR BRACKET	51 - 26

Part No.	Description	Page and Index No.
C257 2492	SENSOR COVER	51 - 28
C257 2534	BRACKET	53 - 17
C257 2535	PIPE	53 - 18
C257 2536	SPRING TUBE	53 - 25
C257 2577	DC MOTOR:CAP:ASS'Y	51 - 8
C257 2591	CLAMP BASE ASS'Y	49 - 23
C257 2594	SCREEN STAY - REAR H	49 - 2
C257 2611	CONNECTOR BRACKET	39 - 49
C257 2612	SPRING PLATE	39 - 47
C257 2630	ADJUSTMENT PLATE	13 - 23
C257 2780	PAPER FEED SIDE FENCE PAD	23 - 11
C257 2781	PAPER FEED SIDE FENCE PAD	23 - 12
C257 2812	SPACER:MAGNET CATCH:SIDE FENCE	23 - 44
C257 2833	PAPER FEED ARM	27 - 27
C257 2834	DISCHARGE BRUSH	27 - 3
C257 2835	PAPER FEED ARM BALANCER	27 - 28
C257 2845	SEPARATION PAD PRESSURE PLATE	29 - 33
C257 2850	STAY:PAPER FEED:ASS'Y	27 - 42
C257 2857	PRESSURE RELEASE LEVER SPRING PLATE	27 - 15
C257 2858	PRESSURE RELEASE LINK	27 - 37
C257 2859	PRESSURE RELEASE LEVER	27 - 36
C257 2861	PRESSURE RELEASE SENSOR BRACKET	27 - 2
C257 2867	FEELER BALANCER	27 - 43
C257 2869	FEELER ROLLER	27 - 24
C257 2886	SEPARATION PAD - A	29 - 21
C257 2895	SEPARATION PAD - B	29 - 31
C257 2899	MAGNETIC:SEPARATION PAD	29 - 30
C257 2927	CAM:PRESSURE RELEASE:ASS'Y	21 - 15
C257 2928	PLATE GUIDE - LONG	33 - 17
C257 2929	PLATE GUIDE - SHORT	33 - 3
C257 2940	MASTER SENSOR BRACKET	31 - 30
C257 2945	SHEET:PLATE:STAY:DOUBLE	31 - 4
C257 2946	BRACKET PLATE	31 - 2

Part No.	Description	Page and Index No.
C257 2958	PAPER GUIDE PLATE	31 - 1
C257 3002	CLAMP	35 - 21
C257 3096	PAPER FEED CONTROL SHIELDING PLATE	35 - 24
C257 3125	CAM SHAFT	39 - 24
C257 3220	ARM - FRONT	37 - 11
C257 3230	ARM - REAR	37 - 23
C257 3235	PAPER FEED CONTROL SENSOR ASS'Y	37 - 35
C257 3239	CUSHION	35 - 11
C257 3243	CLAMP	35 - 7
C257 3245	CLAMP SHAFT	35 - 8
C257 3249	TENSION SPRING	35 - 19
C257 3256	CLAMP ARM	35 - 14
C257 3260	COLLAR	35 - 23
C257 3264	CLAMP BASE	35 - 12
C257 3267	CLAMPCAM - LARGE	37 - 10
C257 3269	CLAMP CAM - SMALL	37 - 25
C257 3301	AIR KNIFE BASE	41 - 2
C257 3302	AIR KNIFE DUCT	41 - 1
C257 3304	AIR KNIFE DUCT SHEET- MIDDLE	41 - 26
C257 3305	AIR KNIFE DUCT SHEET - SIDE	41 - 25
C257 3331	PRESSURE SHAFT	37 - 34
C257 3336	PRESSURE DRIVE CAM GEAR	17 - 6
C257 3337	PRESSURE POSITIONING SENSOR SLITTER	17 - 5
C257 3338	GEAR	17 - 4
C257 3341	PRESSURE CAM	37 - 31
C257 3342	SLIDER PRESSURE PLATE	37 - 30
C257 3350	PRESSURE BRACKET	17 - 2
C257 3354	PRESSURE SENSOR BRACKET	17 - 14
C257 3355	ADJUSTING SCREW - FRONT	37 - 27
C257 3356	ADJUSTING SCREW - REAR	37 - 26
C257 3368	BRACKET BASE	37 - 29
C257 3370	CLEANER BRACKET	37 - 28
C257 3372	CLEANING BRACH	37 - 40

Part No.	Description	Page and Index No.
C257 3575	MASTER EJECT LOCK SOLENOID	11 - 13
C257 3575	MASTER EJECT LOCK SOLENOID	31 - 25
C257 3580	MASTER EJECT LOCK BRACKET	11 - 18
C257 3587	MASTER EJECT LOCK SUPPORTING PLATE	11 - 16
C257 3597	LOWER STAY	11 - 7
C257 3851	DRUM STAY	43 - 6
C257 3941	SUPPORTING PLATE	11 - 20
C257 3942	SCRAPER PICKOFF PAWL	11 - 26
C257 3952	SENSOR GUIDE PLATE	37 - 7
C257 3980	REAR BRACKET	11 - 19
C257 3983	FRONT BRACKET	11 - 21
C257 3987	TENSION SPRING	11 - 22
C257 4050	GUIDE SECTOR ASS'Y	21 - 2
C257 4101	PAPER EXIT UNIT DUCT	43 - 2
C257 5140	INK SENSOR PCB	47 - 15
C257 5146	LED PCB	13 - 22
C257 5622	MASTER EJECT DRIVE COVER	11 - 24
C257 5636	CONTROL UNIT COVER	87 - 7
C257 5637	CONTROL BOARD NO.1 GUIDE PLATE	87 - 11
C257 5638	CONTROL BOARD NO.2 GUIDE PLATE	87 - 8
C257 5639	COVER NO.1	87 - 3
C257 5739	MASTER1SENSOR BRACKET	31 - 7
C257 5807	PHOTO REFIECTION SENSOR:GP2A25	25 - 13
C257 5807	PHOTO REFIECTION SENSOR:GP2A25	33 - 16
C257 5807	PHOTO REFIECTION SENSOR:GP2A25	39 - 21
C257 5808	STEPPER MOTOR MM42*33	69 - 11
C257 5816	STEPPER MOTOR MM56*66	21 - 17
C257 5817	STEPPER MOTOR MM56*64	21 - 22
C257 5824	FAN DC24V 0.85A	41 - 5
C257 5826	AIR KNIFE DC MOTOR: 24V 5.3W	9 - 18
C257 5826	AIR KNIFE DC MOTOR: 24V 5.3W	71 - 18
C257 5856	PUSH SWITCH	13 - 14
C257 5860	PHOTOINTERRUPTOR	51 - 27

Part No.	Description	Page and Index No.
C257 5865	THERMISTOR:ASSY	53 - 22
C257 5870	DRUM LOCK SOLENOID	67 - 15
C257 5872	DC SOLENOID	37 - 18
C257 5874	TOTAL COUNTER MASTER	13 - 19
C257 5875	TOTAL COUNTER PAPER	13 - 18
C257 7051	WASHER:DIA4.5XDIA14X1T:T:T	15 - 21
C257 7055	WASHER:DIA8.1XDIA11.5X1T	27 - 18
C257 7055	WASHER:DIA8.1XDIA11.5X1T	39 - 50
C259 1351	CAUTION DECAL:MASTER SET	63 - 26
C259 1351	CAUTION DECAL:MASTER SET	89 - 8
C259 2036	DISCHARGE BRUSH:EXIT:REVERSE ROLLER	73 - 8
C259 2037	GUIDE:REVERSE ROLLER:LOWER	73 - 22
C259 2038	GUIDE:REVERSE ROLLER:UPPER	67 - 29
C259 2039	DISCHARGE BRUSH:REVERSE ROLLER:UPPER	67 - 28
C259 2042	GUIDE:ROLLER:TENSION	65 - 7
C259 2094	THERMAL HEAD SPRING	71 - 7
C259 2136	GUIDE:THERMAL HEAD:SHEET	63 - 18
C259 2225	LEFT TENSION GUIDE	69 - 37
C259 2595	STAY:SCREEN:ASSY	49 - 3
C259 3278	ADJUSTING STOPPER - FRONT	37 - 37
C259 3279	ADJUSTING STOPPER - REAR	37 - 36
C259 3302	AIR KNIFE SPRING PLATE	41 - 27
C259 3459	PRESSURE SPRING:2.8N	77 - 7
C259 3482	TENSION SPRING:POSITION:ROLLER:2.4N	77 - 17
C259 3485	SLIDE RAIL:UPPER:PEEN	77 - 12
C259 3495	PRESSURE PLATE BRACKET	79 - 29
C259 3625	GUIDE PLATE:UPPER:SHAFT:MASTER EJECTION	77 - 34
C259 3626	GUIDE PLATE:LOWER:SHAFT:MASTER EJECTION	77 - 39
C259 5301	DC POWER SUPPLY:MAIN:ASSY	83 - 8
C259 5800	BRUSHLESS MOTOR:DC24V:114W	15 - 8
C259 5803	DC MOTOR:5.0W:MM34	21 - 12
C259 5803	DC MOTOR:5.0W:MM34	69 - 22
C259 5803	DC MOTOR:5.0W:MM34	75 - 15

Part No.	Description	Page and Index No.
C259 5804	DC MOTOR:2.0W:MM32	39 - 18
C259 5804	DC MOTOR:2.0W:MM32	43 - 23
C259 5804	DC MOTOR:2.0W:MM32	53 - 3
C259 5805	STEPPER MOTOR:MM25:24V	45 - 12
C259 5806	DC MOTOR:7.2W:MM34	17 - 28
C259 5811	DC MOTOR:5.0W:MM34:PULLEY	75 - 27
C259 5820	DC MOTOR:2.0W:MM32:HEAVEN AND EARTH	51 - 11
C259 5821	STEPPER MOTOR:DIA42:PLOTTER:ASSY	17 - 18
C259 5823	DC MOTOR:2.0W:MM32:PULLEY	45 - 3
C259 5824	FAN:DC24V:0.5A	43 - 21
C259 5827	DC MOTOR:3.7W:DIA25.4	27 - 6
C259 5827	DC MOTOR:3.7W:DIA25.4	29 - 10
C259 7050	SCREW:M2.6X3	11 - 25
C259 7052	KNOB SCREW:M4X10	5 - 18
C262 1051	COVER:BASE:SAFETY	13 - 27
C262 1053	COVER:SAFETY:BASE	37 - 32
C262 1061	STAND:BASE	37 - 38
C262 1062	STOPPER:ADJUSTING SCREW	9 - 10
C262 1062	STOPPER:ADJUSTING SCREW	41 - 28
C262 1063	STAND:FRONT:DIA28	9 - 15
C262 1066	BASE:BRUSHLESS MOTOR	15 - 9
C262 1070	STOPPER:GRIP:ASSY	3 - 19
C262 1076	COVER:GRIP:REAR RIGHT	9 - 5
C262 1077	BRACKET:GUIDE:GRIP	9 - 4
C262 1077	BRACKET:GUIDE:GRIP	85 - 1
C262 1078	GRIP:MACHINE OR COPIER	9 - 3
C262 1080	SUPPORTING PLATE:GRIP:REAR RIGHT	23 - 45
C262 1170	COVER:DIAL:PRINTING	39 - 7
C262 1260	HINGE:DOOR:ASSY	3 - 6
C262 1286	CAP:PRESS DRAM:SMALL	5 - 1
C262 1292	DRUM STAY:EXIT:ASSY	41 - 12
C262 1299	INNER COVER	5 - 4
C262 1350	SHEET:OPERATION INSTRUCTIONS	3 - 7

Part No.	Description	Page and Index No.
C262 1356	DECAL:CAUTION CHART:HARNESS:SERVICE	63 - 23
C262 1356	DECAL:CAUTION CHART:HARNESS:SERVICE	89 - 9
C262 1357	SHEET:COUNTER	5 - 17
C262 1359	DECAL:CAUTION CHART:GEAR:SERVICE:EXP	83 - 12
C262 1359	DECAL:CAUTION CHART:GEAR:SERVICE:EXP	89 - 10
C262 1485	KEYTOP:CONTENUANCE	7 - 6
C262 1495	SHEET:PREVENTFENCE:LEFT	7 - 22
C262 1496	SHEET:PREVENTFENCE:RIGHT	7 - 25
C262 1497	LENS:LED:UPPER	7 - 24
C262 1499	NYLON CLAMP	7 - 20
C262 1520	BRACKET:LCDC	7 - 18
C262 1521	COVER:LCDC	7 - 21
C262 1523	BRACKET:MACHINE OR COPIER:FIX	7 - 27
C262 1964	BRACKET:DRIVE SUB-UNIT:PLOTTER:PEEN	69 - 30
C262 2028	SUPPORTING PLATE:DRIVE:PLOTTER	69 - 24
C262 2081	PLATENROLLER:MM18-12:45	65 - 16
C262 2095	TENSION SPRING:THERMAL HEAD	71 - 8
C262 2118	GUIDE PLATE:THERMAL HEAD:ASS'Y	71 - 2
C262 2120	SPACER:THERMAL HEAD	71 - 6
C262 2125	BRACKET:POSITIONING:THERMAL HEAD	71 - 5
C262 2149	SIDE PLATE:FRONT:UPPER BASE:PEEN	65 - 8
C262 2243	BASE:PLOTTER:ASS'Y	73 - 10
C262 2245	COVER:FLAT CABLE:PLOTTER	73 - 18
C262 2246	PLATE:FLAT CABLE:UPPER	73 - 20
C262 2247	PLATE:FLAT CABLE:LOWER	73 - 21
C262 2248	GUARD:CE-012:102MM	73 - 6
C262 2262	COVER:STAY:MACHINE:PLOTTER	31 - 9
C262 2263	COVER:FLAT CABLE:MACHINE OR COPIER	31 - 10
C262 2264	SCREW:PLOTTER:STOPPER:LOCK	31 - 26
C262 2265	BRACKET:SENSOR:CLAMP	31 - 11
C262 2270	GUARD:NJ-16:97MM	31 - 27
C262 2275	MAGNET CATCH:LOCK:PLOTTER	31 - 16
C262 2280	SLIDE RAIL:PLOTTER	9 - 20

Part No.	Description	Page and Index No.
C262 2317	OIL SUPPLY ROLLER:OIL SUPPLY ROLLER:ASS'Y	55 - 1
C262 2355	GRIP:LEVER:ASS'Y	47 - 43
C262 2364	INNER COVER:FRONT	47 - 39
C262 2367	LEVER:SWITCH:PEEN	47 - 4
C262 2420	FLANGE:OUTER:FRONT:S	49 - 1
C262 2422	FLANGE:OUTER:REAR	49 - 14
C262 2442	FIX STAND:DRUM:REAR:SUB-ASS'Y	49 - 16
C262 2450	SEPARATION PLATE:INK:FRONT:ASS'Y	55 - 18
C262 2452	SCREW:WASHER:M4X8	49 - 29
C262 2466	SEPARATION PLATE:INK:REAR:ASS'Y	55 - 20
C262 2472	BLADE:COLLECT:REAR	55 - 34
C262 2473	BLADE:COLLECT:FRONT	55 - 35
C262 2477	SEAL:FLANGE:REAR	49 - 31
C262 2478	BLADE:FRONT:DRUM:SAP	55 - 31
C262 2479	BLADE:REAR:DRUM:SAP	55 - 23
C262 2482	DRUM METAL SCREEN:DRUM:S:SUB-ASS'Y	49 - 8
C262 2484	SHIELD:DRUM METAL SCREEN:SUB-ASS'Y	49 - 32
C262 2498	COVER:INK CARTRIDGE	51 - 9
C262 2511	CAP:PUMP MOTOR	51 - 30
C262 2549	SCREW:LOCK:M2.5X5	55 - 36
C262 2551	SHIELDING PLATE:OIL SUPPLY ROLLER	55 - 7
C262 2575	SIDE PLATE:OIL SUPPLY ROLLER:INK:FRONT:ASS'Y	55 - 9
C262 2577	SIDE PLATE:OIL SUPPLY ROLLER:INK:REAR:ASS'Y	55 - 17
C262 2589	COVER:SENSOR:LEFT AND RIGHT:MOVE	51 - 15
C262 2590	CLAMP:ASS'Y	49 - 21
C262 2620	SPACER:CLAMP:DRUM	49 - 30
C262 2623	PLATE:BLADE:DRUM	55 - 33
C262 2657	DRAM METAL SCREEN:DRUM:DLT:S:SUB-ASS'Y	49 - 8
C262 2658	SEAL:DRAM METAL SCREEN:DLT:SUB-ASS'Y	49 - 32
C262 2926	GUIDE PLATE:FEED ROLLER:UPPER:ASS'Y	33 - 18
C262 3143	RACK:PRESSURE RELEASE ASS'Y	39 - 12

Part No.	Description	Page and Index No.
C262 3303	COVER:EXIT	41 - 4
C262 3408	CASE:MASTER EJECTION:ASS'Y	79 - 1
C262 3494	CASE:UPPER RIGHT	79 - 25
C262 3857	DRUM STAY:LEFT:EXIT	41 - 6
C262 3858	DRUM STAY:RIGHT:EXIT	41 - 14
C262 5180	THERMAL HEAD:A3:600	71 - 16
C262 5217	FLAT CABLE:CONNECTING:PLOTTER:ASS'Y	73 - 19
C262 5608	COVER:PCB:BRACKET	83 - 6
C262 5620	COVER:HINGE:PCB:LOWER	85 - 12
C262 5622	GASKET:STGZ2-10:L40	87 - 4
C262 5623	GASKET:STGZ1-5:L100	87 - 9
C262 5625	GASKET:STGZ7-7:L20	87 - 1
C262 5627	BRACKET:PRINTED CIRCUIT BOARD:LED	13 - 21
C262 5631	BRACKET:MAIN SWITCH	13 - 4
C262 5648	BRACKET:SAFETY SWITCH	13 - 5
C262 5730	BRACKET:LIFT MOTOR	25 - 30
C265 1028	SHAFT:DRIVE:PRESS DRAM:ASS'Y	19 - 20
C265 1043	SHAFT:STAY:LEFT:MIDDLE	39 - 19
C265 1063	HEXAGON SCREW - M5X4	15 - 16
C265 1101	SIDE PLATE:DRIVE:DRUM:ASS'Y	19 - 22
C265 1123	GUIDE PLATE:HEAVEN AND EARTH:FRONT:ASS'Y	19 - 24
C265 1143	TENSION SPRING:BELT TENSION	15 - 6
C265 1325	DECAL:OPERATION INSTRUCTIONS: MASTER EJECTION	79 - 33
C265 1325	DECAL:OPERATION INSTRUCTIONS: MASTER EJECTION	89 - 11
C265 2003	ROLLER:TENSION:PLOTTER:LOWER	67 - 30
C265 2066	COVER:FAN	71 - 19
C265 2315	SCREW:DRUM	55 - 12
C265 2351	SIDE PLATE:FRONT:ASS'Y	47 - 11
C265 2401	SIDE PLATE:REAR:LARGE:ASS'Y	47 - 45
C265 2450	SCREW:DIA4*M3*0.9	55 - 32
C265 2461	SIDE PLATE:FRONT:OIL SUPPLY ROLLER:2.5	55 - 24

Part No.	Description	Page and Index No.
C265 2462	SIDE PLATE:REAR:OIL SUPPLY ROLLER:ASS'Y	55 - 25
C265 2539	FRAME:DRUM:ASS'Y	53 - 27
C265 2547	BRACKET:HARNESS	53 - 26
C265 2549	PIN:BALL BEARING	53 - 9
C265 2550	PIN:BALL BEARING:LEFT LOWER	53 - 14
C265 2563	SPRING:OIL SUPPLY ROLLER:REAR	55 - 27
C265 2567	SHAFT:ARM:MOVE:OIL SUPPLY ROLLER	55 - 10
C265 2596	SPRING:CLAMP:OPEN AND CLOSE	49 - 19
C265 2616	BRACKET:PIN:DRUM:ASS'Y	13 - 12
C265 2646	GEAR:INK:Z16	55 - 22
C265 2823	SHAFT:TRANSMISSION:PAPER TRAY:FIX	25 - 20
C265 2828	TENSION SPRING:RISE:PAPER TRAY	23 - 2
C265 2837	GRIP RINGS:DIA6	27 - 39
C265 2858	COMPRESSION SPRING:SEPARATION	29 - 14
C265 2861	TENSION SPRING:PAPER FEED PRESSURE	27 - 20
C265 2862	FEELER:PAPER FEED ROLLER:SURFACE OF PAPER SENSOR:PEEN	27 - 23
C265 2867	COMPRESSION SPRING:TORQUE LIMITER:SEPARATION UNIT	29 - 26
C265 2901	TENSION SPRING:PRESSURE:FEED ROLLER:9.8N	33 - 7
C265 2906	FEED ROLLER:LOWER	33 - 22
C265 2922	BRACKET:GUIDE PLATE:FEED ROLLER:RIGHT	33 - 23
C265 2923	BRACKET:GUIDE PLATE:FEED ROLLER:LEFT	33 - 21
C265 2998	TENSION SPRING:BRACKET:STEPPER MOTOR:48N	21 - 25
C265 3001	PRESS DRAM UNIT:ASS'Y	35 - 6
C265 3150	BRACKET:EXCHANGE PLATE:ASS'Y	39 - 43
C265 3165	SHAFT:PRESSURE RELEASE	37 - 6
C265 3166	SPRING:PRESSURE RELEASE	37 - 9
C265 3251	SHAFT:PAWL:EXHAUST	35 - 17
C265 3270	ADJUSTING SCREW:M8:ASS'Y	37 - 5
C265 3449	TRANSPORT ROLLER:MASTER EJECTION:ASS'Y	77 - 35
C265 3451	TRANSPORT ROLLER:LOWER:ASS'Y	77 - 28
C265 3453	TRANSPORT ROLLER:UPPER:RUBBER	77 - 26

Part No.	Description	Page and Index No.
C265 3454	ROLLER:EXFOLIATION UNIT:A3	77 - 27
C265 3455	GUIDE:UPPER REAR	77 - 23
C265 3458	GUIDE:UPPER:SENSOR	77 - 42
C265 3464	STAY:LOWER:SIDE PLATE:MOVEABLE	77 - 32
C265 3475	GUIDE:UPPER REAR:LEFT	77 - 43
C265 3476	GUIDE:UPPER REAR:RIGHT	77 - 44
C265 3508	TORSION SPRING:LOCK:PRESSURE PLATE:2.45N	79 - 23
C265 3541	COMPRESSION SPRING:JOINT:TRANSPORT	75 - 3
C265 3565	COMPRESSION SPRING:JOINT:PRESSURE:7N	75 - 13
C265 3566	SIDE PLATE:REAR:MASTER EJECTION:PEEN	75 - 21
C265 3585	COMPRESSION SPRING:3N	75 - 6
C265 3616	GUIDE:UPPER FRONT	77 - 24
C265 3623	GUIDE:MASTER EJECTION	77 - 38
C265 3975	SPRING:PAWL:MOVEABLE:EXIT	11 - 5
C265 4676	SPRING:COVER:ASSORTMENT	41 - 18
C265 4733	SPRING:PRESSURE:PICKUP:ASSORTMENT	45 - 20
C265 5120	KNOB SCREW:GROOVE TYPE	87 - 10
C265 5733	COVER:HARNES: PAPER FEED SUB-UNIT	31 - 19
C265 5735	SHEET:GRIP:COVER	31 - 18
C265 5802	STEPPER MOTOR:MM50*40	69 - 1
C269 1013	TENSIONER:MASTER:ASS'Y	13 - 26
C269 1096	HEXAGONAL SET SCREW:M4X8	21 - 26
C269 1192	GUIDE PIN:INSERT:DRUM	19 - 19
C269 1366	DECAL:POSITIONING DISPLAY:PRESSURE PLATE	79 - 28
C269 1366	DECAL:POSITIONING DISPLAY:PRESSURE PLATE	89 - 12
C269 1367	DECAL:POSITIONING DISPLAY:CASE:MASTER EJECTION	79 - 30
C269 1367	DECAL:POSITIONING DISPLAY:CASE:MASTER EJECTION	89 - 13
C269 1498	LENS:LED:LOWER	7 - 23
C269 1978	DECAL:MASTER:MISFEED REMOVAL	63 - 1
C269 1978	DECAL:MASTER:MISFEED REMOVAL	89 - 14
C269 2009	REVERSE ROLLER:PLOTTER:LOWER	67 - 9

Part No.	Description	Page and Index No.
C269 2030	GRIP:OPEN AND CLOSE:PLOTTER:D1:PRINTING	65 - 13
C269 2031	GRIP:SUPPLY:PLOTTER:D2:PRINTING	65 - 4
C269 2032	GRIP:SUPPLY:PLOTTER:D3:PRINTING	63 - 7
C269 2100	BRACKET:OPTICS SENSOR:DUCT	71 - 13
C269 2140	ROLLER:PULL OUT:MASTER	65 - 17
C269 2201	SPRING PLATE:TENSION:FLANGE	63 - 8
C269 2240	BRACKET:SENSOR:LEADING EDGE	67 - 5
C269 2259	STAY:MAIN:PLOTTER:ADHESION	31 - 15
C269 2279	BRACKET:TENSION:PEEN	13 - 16
C269 2401	SIDE PLATE:REAR:LARGE:T	47 - 25
C269 2402	GUIDE:SIDE PLATE:REAR:DRUM	47 - 44
C269 2760	SCREW:M2X7	31 - 32
C269 2941	STAY:SENSOR:MASTER:1:ASS'Y	31 - 3
C269 3356	BRACKET:SHAFT:PAWL:MOVEABLE:EXIT	11 - 4
C269 3559	JOINT:PRESSURE SUB-UNIT:DRIVE:ASS'Y	75 - 14
C269 3564	BRACKET:SHAFT:TAKE OFF	75 - 11
C269 3566	BUSHING:MM8:PRESSURE:DRIVE	75 - 12
C269 5150	PRINTED CIRCUIT BOARD:MOTOR:DRIVE	15 - 1
C269 5168	PCB:OPERATION SUB-UNIT:RIGHT	7 - 13
C269 5618	HINGE:PCB:UPPER	83 - 3
C272 2098	DECAL:MASTER:POSITIONING DISPLAY	69 - 35
C272 2098	DECAL:MASTER:POSITIONING DISPLAY	89 - 15
C272 4384	SEPARATION PLATE:CASE:EXIT:FRONT	81 - 32
C279 1329	COVER:SCANNER:REAR	3 - 12
C279 1330	DECAL:FALL:PAPER FEED TRAY	3 - 2
C279 1330	DECAL:FALL:PAPER FEED TRAY	89 - 16
C279 2048	DECAL:OPEN AND CLOSE:PLOTTER:LEFT	65 - 1
C279 2048	DECAL:OPEN AND CLOSE:PLOTTER:LEFT	89 - 17
C279 2049	DECAL:OPEN AND CLOSE:PLOTTER:RIGHT	65 - 2
C279 2049	DECAL:OPEN AND CLOSE:PLOTTER:RIGHT	89 - 18
C279 4197	DECAL:OPERATION INSTRUCTIONS: PAPER EXIT UNIT	89 - 19
C279 4198	DECAL:GRIP:CASE	89 - 20

Part No.	Description	Page and Index No.
C279 4198	DECAL:GRIP:CASE	81 - 24
C279 4257	PLATE:EXIT:FRONT:ASS'Y	81 - 13
C279 4260	PLATE:EXIT:REAR:ASS'Y	81 - 35
C279 4360	SIDE FENCE:FRONT:PAPER EXIT SUB-UNIT	81 - 25
C279 4361	SIDE FENCE:FRONT UPPER	81 - 18
C279 4362	GUIDE PLATE:EXIT:FRONT UPPER	81 - 14
C279 4363	LINK:GUIDE:FRONT	81 - 16
C279 4364	SPRING PLATE:LINK:FRONT	81 - 17
C279 4365	SIDE FENCE:FRONT LOWER:PRINTING	81 - 31
C279 4367	CASE:SIDE FENCE	81 - 8
C279 4370	SIDE FENCE:REAR:PAPER EXIT SUB-UNIT	81 - 7
C279 4371	SIDE FENCE:REAR UPPER	81 - 26
C279 4372	GUIDE PLATE:EXIT:REAR UPPER	81 - 28
C279 4373	LINK:GUIDE:REAR	81 - 29
C279 4374	SPRING PLATE:LINK:REAR	81 - 30
C279 4375	SIDE FENCE:REAR LOWER:PRINTING	81 - 12
C279 4380	CASE:PLATE:SWIVEL:EXIT	81 - 2
C279 4381	PLATE:SWIVEL:EXIT	81 - 3
C279 4382	BALANCER:LEVER:SWIVEL	81 - 4
C279 4383	LINK:SWIVEL:EXIT	81 - 5
C279 4385	GRIP:END FENCE	81 - 6
C279 4387	GRIP:CASE:EXIT	81 - 1
C280 1069	BRACKET:OPTICS SENSOR:MASTER	9 - 16
C280 1071	DRUM:HOME POSITION SENSOR:ASS'Y	39 - 44
C280 1078	COVER:HARNESS	11 - 9
C280 1079	STAY:SCANNER:RIGHT:ASS'Y	9 - 9
C280 1107	BRACKET:SCANNER UNIT:LEFT	57 - 16
C280 1108	PLATE:EARTH	57 - 27
C280 1135	SPRING PLATE:OPERATION PANEL	5 - 8
C280 1250	COVER:DOOR:ASS'Y	3 - 17
C280 1255	COVER:DOOR	3 - 1
C280 1261	BRACKET:OPERATION PANEL:PROTECT:RIGHT	5 - 10
C280 1263	COVER:SCANNER:RIGHT	3 - 14

Part No.	Description	Page and Index No.
C280 1264	COVER:SCANNER:LEFT	3 - 11
C280 1265	COVER:PANEL:LOWER	5 - 5
C280 1266	COVER:RIGHT FRONT:ASS'Y	3 - 16
C280 1270	COVER:RIGHT REAR	3 - 15
C280 1273	SUPPORTING PLATE:SIDE PLATE:RIGHT UPPER	13 - 15
C280 1275	COVER:LEFT	3 - 10
C280 1277	CAP:COVER:LEFT	3 - 18
C280 1298	CAP:KNOB:PRESS DRAM:CLEANING	5 - 2
C280 1333	DECAL:MASTER SET INSTRUCTIONS	3 - 22
C280 1333	DECAL:MASTER SET INSTRUCTIONS	89 - 21
C280 1335	PANEL:LOGO:DD6650P	3 - 23
C280 1355	COVER:KEY COUNTER	5 - 12
C280 1365	COVER:MAIN SWITCH:PRINTING:ASS'Y	5 - 9
C280 1371	COVER:MAIN SWITCH	5 - 6
C280 1374	DECAL:MAIN SWITCH:EU	89 - 22
C280 1384	COVER:REAR	3 - 13
C280 1456	OPERATION PANEL:NA:ASS'Y	7 - *
C280 1457	OPERATION PANEL:EU:ASS'Y	7 - *
C280 1470	CASE:OPERATION PANEL	7 - 17
C280 1473	DESIGN PLATE:CLEAR:PANEL:MIDDLE:D2	7 - 2
C280 1480	KEYTOP:POWER SOURCE	7 - 7
C280 1481	KEYTOP:STOP	7 - 10
C280 1482	KEYTOP:START	7 - 9
C280 1483	KEYTOP:TRY PRINT	7 - 8
C280 1484	KEYTOP:10KEY	7 - 11
C280 1487	KEYTOP:PROGRAM	7 - 5
C280 1488	KEYTOP:CLEAR:EU	7 - 26
C280 1489	PIN:PANEL:EM-D2	7 - 4
C280 1490	KEYTOP:LEFT	7 - 15
C280 1491	DESIGN PLATE:CLEAR:PANEL:RIGHT:NA	7 - 3
C280 1491	KEYTOP:CLEAR:NA	7 - 26
C280 1492	DESIGN PLATE:CLEAR:PANEL:LEFT:NA	7 - 1
C280 1493	DESIGN PLATE:CLEAR:PANEL:RIGHT:EU	7 - 3

Part No.	Description	Page and Index No.
C280 1494	DESIGN PLATE:CLEAR:PANEL:LEFT:EU	7 - 1
C280 1800	COVER:OPERATION PANEL	57 - 19
C280 1811	BRACKET:COVER:REAR	57 - 20
C280 1815	PLATE:BASE:UPPER:WELDING	57 - 22
C280 1819	BRACKET:HARNESS:SCANNER	57 - 21
C280 1821	BRACKET:SCANNER:BASE	57 - 23
C280 1822	BRACKET:SCANNER:EARTH	83 - 13
C280 1827	ADJUSTING PIN:SCANNER UNIT:UPPER LOWER	57 - 26
C280 1828	SCREW:POLISHED ROUND:M3	57 - 25
C280 2132	COVER:PLOTTER	63 - 22
C280 2154	SIDE PLATE:REAR:UPPER BASE:PEEN	65 - 12
C280 2339	DRUM:ASS'Y	47 - 1
C280 2502	DRUM:PUMP:ASS'Y	51 - 31
C280 2512	PUMP UNIT	51 - 23
C280 2744	PAPER FEED UNIT:ASS'Y	23 - 1
C280 2767	PAPER TRAY:MOVEABLE:ASS'Y	23 - 46
C280 2775	PAPER TRAY:1000	23 - 18
C280 2777	PAPER TRAY:MOVEABLE:AUXILIARY	23 - 33
C280 2782	SHIELDING PLATE:PAPER TRAY:UPPER:FIX	5 - 13
C280 2784	COVER:PAPER TRAY:MOVEABLE	23 - 3
C280 2805	PAPER TRAY:FIX:ASS'Y	25 - 9
C280 2821	DRUM STAY:PAPER FEED:ASS'Y	29 - 1
C280 2935	BRACKET:OPTICS SENSOR:MASTER:ASS'Y	31 - 21
C280 2951	DECAL:SCALE:PAPER	23 - 17
C280 2951	DECAL:SCALE:PAPER	89 - 23
C280 3008	SEPARATION UNIT:EXIT:ASS'Y	41 - 19
C280 3406	TRANSPORT UNIT:MASTER EJECTION:ASS'Y	77 - 1
C280 3570	STAY:UPPER:MAIN:WELDING	11 - 10
C280 4000	CLAMP:OPEN AND CLOSE:MASTER FEED:ASS'Y	21 - 24
C280 4005	HALE UNIT:ASS'Y	43 - 1
C280 4660	ASSORTMENT:MACHINE OR COPIER:ASS'Y	45 - 1
C280 5102	PCB:MPU:EMERALD-D2:FROM:ASS'Y	83 - 1
C280 5115	PRINTED CIRCUIT BOARD:I/O CONTROL:SUB-ASS'Y	83 - 10

Part No.	Description	Page and Index No.
C280 5153	PRINTED CIRCUIT BOARD:SEPARATION CHANGE:ASS'Y	29 - 9
C280 5155	PRINTED CIRCUIT BOARD:PAPER SIZE SENSOR:ASS'Y	23 - 8
C280 5157	PRINTED CIRCUIT BOARD:PAPER FEED PRESSURE:ASS'Y	27 - 11
C280 5164	PCB:LCDC:NA:ASS'Y	7 - 19
C280 5166	PCB:LCDC:EU:ASS'Y	7 - 19
C280 5169	PCB:OPERATION SUB-UNIT:LEFT	7 - 16
C280 5190	PCB:ACU:FROM:ASS'Y	87 - 6
C280 5202	HARNESS:DC FAN MOTOR:CONNECTING:ASS'Y	9 - 19
C280 5206	HARNESS:PAPER FEED PRESSURE:ASS'Y	27 - 19
C280 5208	HARNESS:DRUM:CONNECTING:ASS'Y	31 - 5
C280 5213	HARNESS:MAIN SWITCH:ASS'Y	13 - 3
C280 5214	HARNESS:DRUM:ASS'Y	53 - 28
C280 5215	HARNESS:DRUM:ID:ASS'Y	53 - 15
C280 5222	HARNESS:HALE:ASS'Y	43 - 16
C280 5224	HARNESS:DRUM:HP:ASS'Y	39 - 32
C280 5226	HARNESS:REGISTRATION:ENCODER:0ANG:ASS'Y	37 - 20
C280 5228	HARNESS:CONNECTING:MASTER EJECTION UNIT:ASS'Y	75 - 7
C280 5229	HARNESS:DRUM:ID:CONNECTING:ASS'Y	47 - 41
C280 5230	HARNESS:PRESSURE SUB-UNIT:CONNECTING:ASS'Y	17 - 10
C280 5233	HARNESS:MOTOR:RISE:CONNECTING:ASS'Y	25 - 32
C280 5234	HARNESS:AIR KNIFE:ASS'Y	41 - 3
C280 5236	HARNESS:PAPER:SIZE:ASS'Y	23 - 28
C280 5236	HARNESS:PAPER:SIZE:ASS'Y	25 - 34
C280 5238	HARNESS:SEPARATION:ASS'Y	29 - 8
C280 5241	HARNESS:REGISTRATION ROLLER:PRESSURE RELEASE:ASS'Y	27 - 5
C280 5243	HARNESS:MASTER EJECTION:LOCK:CONNECTING:ASS'Y	11 - 11

Part No.	Description	Page and Index No.
C280 5245	HARNES:MASTER EJECTION::ASS'Y	77 - 20
C280 5246	HARNES:DRUM.CONNECTING:MAIN:ASS'Y	39 - 31
C280 5247	HARNES:DOUBLE FEED SENSOR: CONNECTING:ASS'Y	85 - 8
C280 5248	HARNES:PLOTTER:ASS'Y	73 - 7
C280 5256	HARNES:OIL SUPPLY ROLLER:MOTOR:ASS'Y	53 - 1
C280 5262	HARNES:CHANGE:ASS'Y	39 - 23
C280 5264	HARNES:REGISTRATION:ASS'Y	33 - 15
C280 5269	HARNES:ASSORTMENT:SENSOR:ASS'Y	45 - 2
C280 5270	HARNES:ASSORTMENT:ASS'Y	45 - 23
C280 5283	HARNES:CONNECTING:PLOTTER:ASS'Y	31 - 12
C280 5284	HARNES:DC DRIVE:ASS'Y	13 - 25
C280 5284	HARNES:DC DRIVE:ASS'Y	83 - 9
C280 5285	HARNES:PUMP UNIT:DRUM:ASS'Y	51 - 29
C280 5286	HARNES:CONNECTING:MAIN:FRONT:ASS'Y	13 - 28
C280 5615	SHADING PLATE:POWER SUPPLY CORD	85 - 9
C280 5616	BRACKET:PCB:ASS'Y	83 - 4
C280 5617	SHADING PLATE:OUTLET	85 - 10
C280 5621	HINGE:PCB:LOWER	85 - 5
C280 5624	BRACKET:KEY COUNTER:ADF	85 - 2
C280 5625	BRACKET:INTERFACE	85 - 6
C280 5628	BRACKET:BASE:FIX	17 - 15
C280 5630	CONTROL UNIT:WELDING	87 - 2
C280 5632	BRACKET:BASE:AUXILIARY	17 - 29
C280 5679	BASE:HDD	83 - 7
C280 5680	BRACKET:HARNES:MAIN	83 - 11
C280 5841	INLET:ASS'Y	85 - 4
C280 5850	OPTICS SENSOR:MASTER:DRUM:1	31 - 8
C280 5851	OPTICS SENSOR:MASTER	9 - 14
C280 5851	OPTICS SENSOR:MASTER	33 - 5
C280 5851	OPTICS SENSOR:MASTER	77 - 30
C280 5852	OPTICS SENSOR:MASTER:DRUM:2	31 - 28
C280 5854	OPTICS SENSOR:MASTER:DUCT	65 - 10

Part No.	Description	Page and Index No.
C280 5855	OPTICS SENSOR:MASTER:SET SENSOR	67 - 6
C280 5857	OPTICS SENSOR:DOUBLE FEED SENSOR:PHOTO	33 - 26
C403 1899	RUBBER BUSHING - M4	21 - 19
C593 4104	TRANSPORT BELT ROLLER	43 - 26
C593 4105	CENTER ROLLER - DELIVERY TABLE	43 - 4
C593 4106	FRONT VACUUM PLATE	43 - 5
C593 4107	REAR VACUUM PLATE	43 - 7
C593 4108	WING POSITION SENSOR BRACKET	43 - 20
C593 4112	GROUNDING PLATE	43 - 15
C593 4113	GROUNDING PLATE	43 - 28
C611 5512	DOUBLE FEED SENSOR BOARD	85 - 7
C611 5680	DOUBLE FEED SENSOR BRACKET	85 - 13
C612 1803	SCREW:ENCODER:A4991378B	13 - 7
C628 4368	UPPER - SIDE FENCE PIN	81 - 9
C628 4391	SIDE FENCE GUIDE - FRONT	81 - 20
C628 4394	SIDE FENCE GUIDE - REAR	81 - 33
C628 4413	DELIVERY TABLE SPRING	81 - 10
C628 4414	PIN - LOWER SIDE FENCE	81 - 11
C628 4440	FRONT TABLE HINGE	81 - 23
C628 4448	KNOB SCREW:FIX:EXIT	81 - 22
C628 4450	REAR TABLE HINGE	81 - 21
C630 2496	SHIELD:DRAM METAL SCREEN:A4:SUB-ASS'Y	49 - 32
C630 2497	DRUM METAL SCREEN:DRUM:A4:SUB-ASS'Y	49 - 8
C639 4103	SHAFT:DRIVEN:HALE UNIT	43 - 27
C639 4109	SHAFT:ADJUSTING PLATE:HALE:ASS'Y	43 - 9
C639 4115	SHAFT:DRIVE:HALE UNIT:ASS'Y	43 - 12
D025 1727	MIRROR:NO.2:CONCAVE:ASS'Y	59 - 4
D025 1728	MIRROR:NO.2:CONVAX:ASS'Y	59 - 2
D029 1715	CARRIAGE:NO.1:ASS'Y	59 - 8
D029 1719	SHEET:CARRIAGE:NO.1	59 - 21
D029 1745	PULLEY:DRIVE WERE:FRONT	61 - 20
D029 1748	PULLEY:DRIVE WERE:REAR:ASS'Y	61 - 16
D029 1749	PULLEY:PROTECTION	61 - 17

Part No.	Description	Page and Index No.
D039 1095	GROUND PLATE:SCANNER:STAY:UPPER REAR	57 - 24
D039 1700	INNER COVER:SCANNER:PEEN	59 - 17
D039 1705	GROUND PLATE:HARNES:SBUS	59 - 15
D039 1712	BRACKET:TENSION:FRONT	61 - 25
D039 1713	BRACKET:TENSION:REAR	61 - 24
D039 1715	DRIVE WERE	61 - 15
D039 1717	SHAFT:SCANNER:DRIVE	61 - 21
D039 1718	PULLEY:IDLER:LEFT FRONT:PEEN	61 - 6
D039 1720	PULLEY:IDLER:LEFT REAR:PEEN	61 - 7
D039 1724	BRACKET:STEPPER MOTOR:DRIVE	61 - 23
D039 1733	XENON LAMP:DIA10:ASS'Y	59 - 11
D039 1742	CARRIAGE:NO.2:SUB-ASS'Y	59 - 1
D039 1747	GUIDE:HIG VOLTAGE SUPPLY CORD	59 - 6
D039 1748	GUIDE:HIG VOLTAGE SUPPLY CORD:RAIL	59 - 22
D039 1751	HOLDER:EXPOSURE GLASS	57 - 12
D039 1764	BRACKET:ORIGINAL SENSOR:SUB SCANNING	61 - 22
D039 1769	FRAME:REAR	57 - 17
D039 1770	GROUND PLATE:SENSOR:AKS	57 - 8
D039 1792	BRACKET:CONNECTOR:DOCUMENT FEEDER	57 - 15
D039 1801	LENS:HOLDER:ASS'Y	61 - 10
D039 5201	HARNES:SCANNER:STM	61 - 1
D039 5203	HARNES:SCANNER:FRAME	57 - 9
D039 5203	HARNES:SCANNER:FRAME	61 - 12
D039 5205	INTERFACE CABLE:SCANNER:LVDS:PEEN	61 - 9
D039 5206	HARNES:SCANNER:BASE:H	61 - 26
D039 5401	STABILIZER	61 - 11
D105 1703	GASKET:9X5.5X17	59 - 18
D105 1795	EXPOSURE GLASS:DOCUMENT FEEDER	57 - 2
D120 1551	SHEET:LOGO:NA	7 - 28
D142 1750	SCALE:INNER BACK:PRINTING	57 - 10
D142 1785	SCALE:LEFT:B:DOM/EU:ASS'Y	57 - 5
D142 1786	SCALE:LEFT:B:NA:ASS'Y	57 - 5
D142 1801	SCALE:LEFT:A	57 - 1

Part No.	Description	Page and Index No.
D144 1396	HOLDER:EXPOSURE GLASS:IG:ASS'Y	3 - 20
G011 3305	GEAR - 16Z	23 - 22
G024 1234	SPACER - 12.2X18X0.25	25 - 33
G056 6005	HDD COVER	87 - 5
G404 2810	SPRING PLATE - 2ND MIRROR	59 - 3
G570 1133	TIMING PULLEY 73	61 - 14
G570 1225	SENSOR SHIELDING PLATE	57 - 7
G570 2730	SLIDER - SCANNER	59 - 10
G570 2833	PULLEY HOLDER	59 - 20
G570 2834	PULLEY - HIGH VOLTAGE SUPPLY CORD	59 - 7
H012 1181	BUSHING- 6MM	65 - 19
H012 1181	BUSHING- 6MM	67 - 25
H012 1181	BUSHING- 6MM	69 - 33
H012 1181	BUSHING- 6MM	71 - 23
H041 1583	WASHER - M5.4*0.1	79 - 32
H041 2137	WASHER - M6.2X16	27 - 40
H310 6173	TOUCH PANEL:HVGA:FU-ACF	7 - 14
H519 4357	GEAR:IDLER:26Z	27 - 13
H522 1100	SENSOR GUIDE	17 - 12
H522 1100	SENSOR GUIDE	21 - 23
H522 1100	SENSOR GUIDE	25 - 35
H522 1100	SENSOR GUIDE	27 - 38
H522 1100	SENSOR GUIDE	29 - 3
H522 1100	SENSOR GUIDE	39 - 46
H522 1100	SENSOR GUIDE	43 - 10
H522 1100	SENSOR GUIDE	45 - 18
H522 1100	SENSOR GUIDE	51 - 24
H522 1100	SENSOR GUIDE	53 - 23
H522 1100	SENSOR GUIDE	69 - 6
H522 1100	SENSOR GUIDE	75 - 28
M026 1815	CLAMP:MIRROR:NO.1	59 - 13

Part No.	Description	Page and Index No.
0241 6060N	PAN HEAD SCREW M1.6X6	11 - 102
0241 6060N	PAN HEAD SCREW M1.6X6	31 - 110
0241 6060N	PAN HEAD SCREW M1.6X6	45 - 110
0314 0080Z	PHILIPS SCREW - 4X8	49 - 108
0314 0120N	SCREW - M4X12	57 - 102
0314 0160N	PAN HEAD SCREW:M4X16	19 - 103
0323 0060N	SCREW M3X6	47 - 114
0323 0060N	SCREW M3X6	55 - 101
0323 0060N	SCREW M3X6	73 - 103
0323 0100N	SCREW M3X10	5 - 101
0352 0080N	SCREW:M2X8	9 - 114
0352 0080N	SCREW:M2X8	31 - 109
0352 0080N	SCREW:M2X8	33 - 107
0352 0080N	SCREW:M2X8	65 - 107
0352 0080N	SCREW:M2X8	67 - 108
0352 0080N	SCREW:M2X8	77 - 106
0352 5050N	SCREW M2.5X5	45 - 107
0353 0040N	SCREW - M3X4	5 - 106
0353 0040N	SCREW - M3X4	9 - 113
0353 0040N	SCREW - M3X4	17 - 108
0353 0040N	SCREW - M3X4	21 - 104
0353 0040N	SCREW - M3X4	25 - 104
0353 0040N	SCREW - M3X4	25 - 107
0353 0040N	SCREW - M3X4	27 - 105
0353 0040N	SCREW - M3X4	29 - 101
0353 0040N	SCREW - M3X4	31 - 108
0353 0040N	SCREW - M3X4	33 - 116
0353 0040N	SCREW - M3X4	37 - 109
0353 0040N	SCREW - M3X4	39 - 106
0353 0040N	SCREW - M3X4	41 - 107
0353 0040N	SCREW - M3X4	43 - 110
0353 0040N	SCREW - M3X4	45 - 105
0353 0040N	SCREW - M3X4	51 - 103

Part No.	Description	Page and Index No.
0353 0040N	SCREW - M3X4	51 - 106
0353 0040N	SCREW - M3X4	53 - 101
0353 0040N	SCREW - M3X4	55 - 102
0353 0040N	SCREW - M3X4	63 - 108
0353 0040N	SCREW - M3X4	65 - 102
0353 0040N	SCREW - M3X4	67 - 105
0353 0040N	SCREW - M3X4	69 - 107
0353 0040N	SCREW - M3X4	71 - 102
0353 0040N	SCREW - M3X4	73 - 104
0353 0040N	SCREW - M3X4	75 - 105
0353 0040N	SCREW - M3X4	77 - 107
0353 0040N	SCREW - M3X4	81 - 101
0353 0050N	SCREW-M3X5	59 - 101
0353 0060N	BIND SCREW - M3X6	11 - 112
0353 0060N	BIND SCREW - M3X6	13 - 103
0353 0060N	BIND SCREW - M3X6	17 - 105
0353 0060N	BIND SCREW - M3X6	23 - 103
0353 0060N	BIND SCREW - M3X6	25 - 105
0353 0060N	BIND SCREW - M3X6	33 - 112
0353 0060N	BIND SCREW - M3X6	35 - 103
0353 0060N	BIND SCREW - M3X6	37 - 103
0353 0060N	BIND SCREW - M3X6	39 - 109
0353 0060N	BIND SCREW - M3X6	41 - 108
0353 0060N	BIND SCREW - M3X6	47 - 109
0353 0060N	BIND SCREW - M3X6	57 - 101
0353 0060N	BIND SCREW - M3X6	63 - 106
0353 0060N	BIND SCREW - M3X6	67 - 106
0353 0060N	BIND SCREW - M3X6	69 - 106
0353 0060N	BIND SCREW - M3X6	87 - 101
0353 0080N	SCREW:M3X8	73 - 105
0353 0080N	SCREW:M3X8	77 - 105
0353 0080N	SCREW:M3X8	81 - 102
0353 0120N	SCREW M3X12	15 - 106

Part No.	Description	Page and Index No.
0353 0120N	SCREW M3X12	23 - 106
0353 0120N	SCREW M3X12	43 - 106
0353 0120N	SCREW M3X12	49 - 105
0353 0350N	SCREW M3X35	9 - 111
0353 0350N	SCREW M3X35	13 - 106
0353 0350N	SCREW M3X35	71 - 103
0354 0040N	SCREW-M4X4	11 - 113
0354 0040N	SCREW-M4X4	23 - 109
0354 0040N	SCREW-M4X4	49 - 103
0354 0050N	SCREW - M4X5	25 - 101
0354 0060N	SCREW-M4X6	13 - 110
0354 0060N	SCREW-M4X6	33 - 109
0354 0060N	SCREW-M4X6	37 - 111
0354 0060N	SCREW-M4X6	39 - 105
0354 0060N	SCREW-M4X6	63 - 109
0354 0060N	SCREW-M4X6	73 - 101
0354 0080N	SCREW:M4X8	27 - 111
0354 0080N	SCREW:M4X8	35 - 102
0354 0080N	SCREW:M4X8	55 - 105
0354 0100N	SCREW - M4X10	51 - 101
0354 0100N	SCREW - M4X10	81 - 104
0354 0140N	SCREW M4X14	21 - 110
0354 0140N	SCREW M4X14	35 - 105
0354 0140N	SCREW M4X14	63 - 102
0354 0350N	SCREW M4X35	41 - 104
0360 3006N	SCREW - M3X6	57 - 103
0360 3006N	SCREW - M3X6	61 - 101
0360 3006P	SCREW - M3X6	61 - 105
0450 3006N	TAPPING SCREW - M3X6	45 - 111
0450 3008N	TAPPING SCREW - M3X8	5 - 102
0450 3008N	TAPPING SCREW - M3X8	51 - 102
0450 3008N	TAPPING SCREW - M3X8	65 - 103
0450 3008N	TAPPING SCREW - M3X8	79 - 103

Part No.	Description	Page and Index No.
0450 3010N	TAPPING SCREW - M3X10	3 - 102
0450 3010N	TAPPING SCREW - M3X10	23 - 107
0450 3010N	SCREW:M2X8	81 - 106
0450 4006N	TAPPING SCREW:4X6	27 - 104
0450 4008N	TAPPING SCREW - M4X8	3 - 101
0450 4008N	TAPPING SCREW - M4X8	21 - 108
0450 4008N	TAPPING SCREW - M4X8	25 - 109
0450 4008N	TAPPING SCREW - M4X8	37 - 105
0450 4008N	TAPPING SCREW - M4X8	43 - 101
0450 4008N	TAPPING SCREW - M4X8	53 - 105
0450 4025N	TAPPING SCREW:4X25	25 - 110
0451 3006N	TAPPING SCREW - 3X6	7 - 101
0451 3006N	TAPPING SCREW - 3X6	11 - 101
0451 3006N	TAPPING SCREW - 3X6	13 - 105
0451 3006N	TAPPING SCREW - 3X6	21 - 102
0451 3006N	TAPPING SCREW - 3X6	29 - 103
0451 3006N	TAPPING SCREW - 3X6	31 - 101
0451 3006N	TAPPING SCREW - 3X6	33 - 103
0451 3006N	TAPPING SCREW - 3X6	41 - 105
0451 3006N	TAPPING SCREW - 3X6	45 - 101
0451 3006N	TAPPING SCREW - 3X6	57 - 104
0451 3006N	TAPPING SCREW - 3X6	63 - 107
0451 3006N	TAPPING SCREW - 3X6	67 - 107
0451 3006N	TAPPING SCREW - 3X6	69 - 104
0451 3006N	TAPPING SCREW - 3X6	71 - 105
0451 3006N	TAPPING SCREW - 3X6	73 - 102
0451 3006N	TAPPING SCREW - 3X6	75 - 103
0451 3006N	TAPPING SCREW - 3X6	79 - 104
0451 3006N	TAPPING SCREW - 3X6	83 - 101
0451 3006N	TAPPING SCREW - 3X6	85 - 105
0451 3006N	TAPPING SCREW - 3X6	87 - 102
0451 3008N	TAPPING SCREW - M3X8	3 - 107
0451 3008N	TAPPING SCREW - M3X8	5 - 108

Part No.	Description	Page and Index No.
0451 3008N	TAPPING SCREW - M3X8	37 - 110
0451 3008N	TAPPING SCREW - M3X8	45 - 113
0451 3008N	TAPPING SCREW - M3X8	57 - 107
0451 4006N	TAPPING SCREW - 4X6	3 - 108
0451 4006N	TAPPING SCREW - 4X6	9 - 103
0451 4006N	TAPPING SCREW - 4X6	11 - 103
0451 4006N	TAPPING SCREW - 4X6	13 - 104
0451 4006N	TAPPING SCREW - 4X6	15 - 109
0451 4006N	TAPPING SCREW - 4X6	17 - 106
0451 4006N	TAPPING SCREW - 4X6	19 - 109
0451 4006N	TAPPING SCREW - 4X6	21 - 105
0451 4006N	TAPPING SCREW - 4X6	23 - 101
0451 4006N	TAPPING SCREW - 4X6	25 - 102
0451 4006N	TAPPING SCREW - 4X6	27 - 101
0451 4006N	TAPPING SCREW - 4X6	29 - 109
0451 4006N	TAPPING SCREW - 4X6	31 - 102
0451 4006N	TAPPING SCREW - 4X6	33 - 105
0451 4006N	TAPPING SCREW - 4X6	37 - 101
0451 4006N	TAPPING SCREW - 4X6	39 - 101
0451 4006N	TAPPING SCREW - 4X6	41 - 103
0451 4006N	TAPPING SCREW - 4X6	43 - 111
0451 4006N	TAPPING SCREW - 4X6	45 - 104
0451 4006N	TAPPING SCREW - 4X6	57 - 109
0451 4006N	TAPPING SCREW - 4X6	63 - 101
0451 4006N	TAPPING SCREW - 4X6	75 - 106
0451 4006N	TAPPING SCREW - 4X6	77 - 104
0451 4006N	TAPPING SCREW - 4X6	83 - 114
0451 4006N	TAPPING SCREW - 4X6	85 - 102
0451 4008N	TAPPING SCREW:4X8	3 - 103
0451 4008N	TAPPING SCREW:4X8	3 - 105
0451 4008N	TAPPING SCREW:4X8	5 - 103
0451 4008N	TAPPING SCREW:4X8	11 - 111
0451 4008N	TAPPING SCREW:4X8	13 - 108

Part No.	Description	Page and Index No.
0451 4008N	TAPPING SCREW:4X8	15 - 107
0451 4008N	TAPPING SCREW:4X8	19 - 108
0451 4008N	TAPPING SCREW:4X8	23 - 104
0451 4008N	TAPPING SCREW:4X8	27 - 112
0451 4008N	TAPPING SCREW:4X8	35 - 111
0451 4008N	TAPPING SCREW:4X8	37 - 114
0451 4008N	TAPPING SCREW:4X8	39 - 114
0451 4008N	TAPPING SCREW:4X8	43 - 112
0451 4008N	TAPPING SCREW:4X8	69 - 105
0451 4008N	TAPPING SCREW:4X8	79 - 101
0451 4010N	TAPPING SCREW:4X10	3 - 106
0451 4010N	TAPPING SCREW:4X10	9 - 101
0451 4010N	TAPPING SCREW:4X10	37 - 107
0452 3006N	BINDING SELF-TAPPING SCREW:3X6	43 - 105
0452 3008N	TAPPING SCREW - M3X8	23 - 102
0452 3008N	TAPPING SCREW - M3X8	81 - 103
0452 3010N	BINDING SELF-TAPPING SCREW:3X10	23 - 108
0453 3006N	TAPPING SCREW - M3X6	3 - 104
0453 3014N	BINDING SELF TAPPING SCREW 3X14	67 - 104
0453 4006N	BINDING SELF TAPPING SCREW:4X6	5 - 107
0453 4006N	BINDING SELF TAPPING SCREW:4X6	9 - 102
0453 4006N	BINDING SELF TAPPING SCREW:4X6	23 - 110
0453 4006N	BINDING SELF TAPPING SCREW:4X6	39 - 111
0453 4006N	BINDING SELF TAPPING SCREW:4X6	41 - 102
0453 4006N	BINDING SELF TAPPING SCREW:4X6	81 - 105
0454 3006Q	TAPPING SCREW - M3X6	9 - 104
0454 3006Q	TAPPING SCREW - M3X6	45 - 109
0454 3006Q	TAPPING SCREW - M3X6	57 - 106
0454 3006Q	TAPPING SCREW - M3X6	59 - 103
0454 3006Q	TAPPING SCREW - M3X6	61 - 106
0454 3006Q	TAPPING SCREW - M3X6	63 - 103
0454 3006Q	TAPPING SCREW - M3X6	77 - 102
0454 3006Q	TAPPING SCREW - M3X6	83 - 111

Part No.	Description	Page and Index No.
0454 3006Q	TAPPING SCREW - M3X6	87 - 104
0454 4006Q	TAPPING SCREW:4X6	9 - 112
0454 4006Q	TAPPING SCREW:4X6	15 - 101
0454 4006Q	TAPPING SCREW:4X6	17 - 113
0454 4006Q	TAPPING SCREW:4X6	31 - 103
0454 4006Q	TAPPING SCREW:4X6	37 - 116
0454 4006Q	TAPPING SCREW:4X6	39 - 115
0454 4006Q	TAPPING SCREW:4X6	85 - 106
0573 0030E	HEXAGON HEADLESS SET SCREW - M3X3	33 - 114
0573 0030E	HEXAGON HEADLESS SET SCREW - M3X3	71 - 101
0573 0040E	HEXAGON HEADLESS SET SCREW - M3X4	17 - 104
0574 0040E	HEXAGON HEADLESS SET SCREW - M4X4	39 - 112
0574 0040E	HEXAGON HEADLESS SET SCREW - M4X4	49 - 109
0574 0040E	HEXAGON HEADLESS SET SCREW - M4X4	55 - 103
0574 0040E	HEXAGON HEADLESS SET SCREW - M4X4	65 - 106
0574 0040E	HEXAGON HEADLESS SET SCREW - M4X4	69 - 101
0574 0050E	HEXAGON HEADLESS SET SCREW - M4X5	39 - 104
0574 0060E	HEXAGON HEADLESS SET SCREW - M4X6	33 - 111
0575 0050E	HEXAGON HEADLESS SET SCREW - M5X5	19 - 105
0586 0451N	HEXAGONAL HEAD BOLT M6X45	37 - 115
0594 0100E	SOCKET BOLT - M4X10	49 - 110
0594 0120E	HEXAGON BOLT - M4X12	19 - 102
0595 0080E	HEXAGON BOLT - M5X8	19 - 101
0623 0140E	SPRING PIN - 3X14MM	37 - 108
0623 0140E	SPRING PIN - 3X14MM	43 - 107
0623 0140E	SPRING PIN - 3X14MM	67 - 111
0623 0320E	SPRING PIN 3X32	33 - 115
0624 0200E	SPRING PIN - 4X20MM	35 - 110
0633 0140G	PARALLEL PIN - 3X14	27 - 102
0701 0030N	WASHER DIA3	69 - 108
0701 0030N	WASHER DIA3	83 - 103
0701 0060N	WASHER DIA6	17 - 109
0701 0080N	WASHER DIA8	23 - 105

Part No.	Description	Page and Index No.
0703 0060N	SPRING WASHER DIA6	19 - 110
0708 0050N	WASHER DIA5	47 - 115
0710 0040N	HEXAGONAL NUT:M4	19 - 104
0720 0020E	RETAINING RING - M2	29 - 105
0720 0020E	RETAINING RING - M2	41 - 106
0720 0020E	RETAINING RING - M2	45 - 106
0720 0030E	RETAINING RING - M3	9 - 105
0720 0030E	RETAINING RING - M3	11 - 114
0720 0030E	RETAINING RING - M3	13 - 109
0720 0030E	RETAINING RING - M3	27 - 108
0720 0030E	RETAINING RING - M3	35 - 104
0720 0030E	RETAINING RING - M3	45 - 102
0720 0030E	RETAINING RING - M3	67 - 103
0720 0040E	RETAINING RING - M4	9 - 108
0720 0040E	RETAINING RING - M4	11 - 108
0720 0040E	RETAINING RING - M4	17 - 103
0720 0040E	RETAINING RING - M4	29 - 108
0720 0040E	RETAINING RING - M4	35 - 106
0720 0040E	RETAINING RING - M4	37 - 102
0720 0040E	RETAINING RING - M4	39 - 107
0720 0040E	RETAINING RING - M4	43 - 104
0720 0040E	RETAINING RING - M4	45 - 108
0720 0040E	RETAINING RING - M4	59 - 102
0720 0040E	RETAINING RING - M4	63 - 104
0720 0040E	RETAINING RING - M4	65 - 101
0720 0040E	RETAINING RING - M4	67 - 102
0720 0040E	RETAINING RING - M4	69 - 102
0720 0040E	RETAINING RING - M4	71 - 104
0720 0040E	RETAINING RING - M4	75 - 102
0720 0040E	RETAINING RING - M4	77 - 101
0720 0040E	RETAINING RING - M4	79 - 102
0720 0040G	RETAINING RING - M4	47 - 111
0720 0040G	RETAINING RING - M4	55 - 106

Part No.	Description	Page and Index No.
0720 0050E	RETAINING RING - M5	25 - 103
0720 0050E	RETAINING RING - M5	27 - 110
0720 0050G	RETAINING RING - M5	47 - 112
0720 0050G	RETAINING RING - M5	51 - 110
0720 0050G	RETAINING RING - M5	53 - 106
0720 0060E	RETAINING RING - M6	15 - 103
0720 0060E	RETAINING RING - M6	17 - 110
0720 0060E	RETAINING RING - M6	19 - 106
0720 0060E	RETAINING RING - M6	21 - 101
0720 0060E	RETAINING RING - M6	27 - 103
0720 0060E	RETAINING RING - M6	29 - 104
0720 0060E	RETAINING RING - M6	33 - 101
0720 0060E	RETAINING RING - M6	39 - 102
0720 0060E	RETAINING RING - M6	65 - 105
0720 0080E	RETAINING RING - M8	11 - 105
0720 0080E	RETAINING RING - M8	19 - 107
0720 0080E	RETAINING RING - M8	35 - 101
0720 0080E	RETAINING RING - M8	37 - 113
0720 0080E	RETAINING RING - M8	39 - 103
0720 0080E	RETAINING RING - M8	43 - 102
0720 0080G	C-RING - M8	55 - 108
0725 0160E	RETAINING RING C - M16	55 - 109
0725 0170E	RETAINING RING C - M17	49 - 101
0740 3008	BALL BEARING - 8X22X7	33 - 113
0740 3010	BALL BEARING - 10X26X8MM	35 - 109
0740 3010	BALL BEARING - 10X26X8MM	43 - 103
0740 3206	BALL BEARING - 6X19X6	53 - 107
0740 3505	BEARING	35 - 107
0740 3908	BALL BEARING - 8X19X6	65 - 104
0741 3506	BALL BEARING - 6X12X4 MM	17 - 102
0741 3706	BALL BEARING - 6X10X3	33 - 110
0741 3706	BALL BEARING - 6X10X3	67 - 101
0800 0072	PHILIPS PAN HEAD SCREW - M2.6X4	31 - 107

Part No.	Description	Page and Index No.
0802 5312	TAPPING SCREW:WASHER:3X10	61 - 104
0804 6123	HEXAGONAL BOLT:W/WASHER:M3X8	57 - 105
0804 6123	HEXAGONAL BOLT:W/WASHER:M3X8	59 - 104
0804 6123	HEXAGONAL BOLT:W/WASHER:M3X8	61 - 102
0805 0088	RETAINING RING - M6	61 - 103
0805 3134	BALL BEARING - 10X26X8MM	17 - 111
0805 3205	BALL BEARING - 10X19X7MM	15 - 108
0805 3205	BALL BEARING - 10X19X7MM	19 - 111
0805 3205	BALL BEARING - 10X19X7MM	39 - 113
0805 3368	BALL BEARING - 8X16X5MM	27 - 109
0805 3385	BUSHING - 6MM	75 - 101
0805 3385	BUSHING - 6MM	77 - 103
0805 3386	BUSHING - 8MM	33 - 102
0805 3444	BALL BEARING - 25X37X7	15 - 104
0807 4069	WASHER - 6.2X12X0.4MM	35 - 108
0807 5044	SPACER - 8.1MM X 11.5MM X 0.2	29 - 106
0807 5071	SPACER - 10X0.5MM	25 - 113
0807 7013	SPACER - 10.2X14X0.2 MM	43 - 108
0807 7092	SPACER - 10.5/16	37 - 112
0807 7114	WASHER - 16X24X0.3MM	49 - 104
0807 7114	WASHER - 16X24X0.3MM	55 - 107
0951 3004N	SCREW:POLISHED ROUND:M3X4	63 - 105
0951 3004Z	PHILIPS SCREW WITH FLAT WASHER-M3X4	47 - 118
0951 3004Z	PHILIPS SCREW WITH FLAT WASHER-M3X4	49 - 102
0951 3006N	SCREW - M3X6	11 - 106
0951 3006N	SCREW - M3X6	17 - 107
0951 3006Z	PHILIPS SCREW WITH FLAT WASHER - M3	47 - 102
0951 3006Z	PHILIPS SCREW WITH FLAT WASHER - M3	51 - 104
0951 3006Z	PHILIPS SCREW WITH FLAT WASHER - M3	53 - 108
0951 3006Z	PHILIPS SCREW WITH FLAT WASHER - M3	55 - 104
0951 3008Z	PHILIPS SCREW WITH FLAT WASHER - M3	47 - 103
0951 4006N	SCREW:POLISHED ROUND:M4X6	17 - 112
0951 4006Z	PHILIPS SCREW WITH FLAT WASHER - M4	47 - 101

Part No.	Description	Page and Index No.
0951 4006Z	PHILIPS SCREW WITH FLAT WASHER - M4	49 - 106
0951 4006Z	PHILIPS SCREW WITH FLAT WASHER - M4	51 - 107
0951 4006Z	PHILIPS SCREW WITH FLAT WASHER - M4	53 - 102
0951 4008N	SCREW:POLISHED ROUND:M4X8	15 - 105
0951 4008Z	PHILIPS SCREW WITH FLAT WASHER - M4X8	47 - 104
0951 4008Z	PHILIPS SCREW WITH FLAT WASHER - M4X8	49 - 107
0951 4008Z	PHILIPS SCREW WITH FLAT WASHER - M4X8	51 - 109
0951 4008Z	PHILIPS SCREW WITH FLAT WASHER - M4X8	53 - 104
0951 4010Z	PHILIPS SCREW WITH FLAT WASHER - M4	51 - 111
1102 8501	CONNECTOR:54679-1609	57 - 108
1102 9861	DRAWER CONNECTOR	47 - 113
1105 0005	NYLON CLAMP - 3N	25 - 106
1105 0005	NYLON CLAMP - 3N	39 - 110
1105 0016	NYLON CLAMP - 4N	25 - 112
1105 0016	NYLON CLAMP - 4N	47 - 117
1105 0016	NYLON CLAMP - 4N	53 - 103
1105 0193	NYLON STUD	47 - 110
1105 0234	CLAMP	33 - 104
1105 0329	CLAMP - ES-0510	47 - 106
1105 0487	HARNESS CLAMP	25 - 111
1105 0487	HARNESS CLAMP	47 - 116
1105 0487	HARNESS CLAMP	51 - 105
1105 0487	HARNESS CLAMP	73 - 107
1105 0487	HARNESS CLAMP	75 - 104
1105 0487	HARNESS CLAMP	83 - 105
1105 0488	HARNESS CLAMP	31 - 105
1105 0488	HARNESS CLAMP	73 - 106
1105 0489	HARNESS CLAMP - LWS 1316	15 - 102
1105 0489	HARNESS CLAMP - LWS 1316	21 - 106
1105 0489	HARNESS CLAMP - LWS 1316	83 - 112
1105 0489	HARNESS CLAMP - LWS 1316	85 - 104
1105 0490	HARNESS CLAMP - IWS-2218	21 - 107
1105 0490	HARNESS CLAMP - IWS-2218	83 - 104

Part No.	Description	Page and Index No.
1105 0490	HARNESS CLAMP - IWS-2218	85 - 103
1105 0508	HARNESS CLAMP - LWS-0711	9 - 110
1105 0511	HARNESS CLAMP - LWS-0306ZC	9 - 107
1105 0511	HARNESS CLAMP - LWS-0306ZC	11 - 104
1105 0511	HARNESS CLAMP - LWS-0306ZC	13 - 101
1105 0511	HARNESS CLAMP - LWS-0306ZC	17 - 101
1105 0511	HARNESS CLAMP - LWS-0306ZC	21 - 103
1105 0511	HARNESS CLAMP - LWS-0306ZC	27 - 107
1105 0511	HARNESS CLAMP - LWS-0306ZC	31 - 104
1105 0511	HARNESS CLAMP - LWS-0306ZC	33 - 108
1105 0511	HARNESS CLAMP - LWS-0306ZC	37 - 106
1105 0511	HARNESS CLAMP - LWS-0306ZC	39 - 108
1105 0511	HARNESS CLAMP - LWS-0306ZC	41 - 101
1105 0511	HARNESS CLAMP - LWS-0306ZC	43 - 113
1105 0511	HARNESS CLAMP - LWS-0306ZC	45 - 103
1105 0511	HARNESS CLAMP - LWS-0306ZC	47 - 108
1105 0511	HARNESS CLAMP - LWS-0306ZC	51 - 108
1105 0511	HARNESS CLAMP - LWS-0306ZC	61 - 107
1105 0511	HARNESS CLAMP - LWS-0306ZC	69 - 103
1105 0511	HARNESS CLAMP - LWS-0306ZC	75 - 107
1105 0516	CLAMP	5 - 105
1105 0516	CLAMP	9 - 109
1105 0516	CLAMP	25 - 108
1105 0516	CLAMP	29 - 107
1105 0516	CLAMP	73 - 108
1105 0516	CLAMP	83 - 113
1105 0534	CLAMP	9 - 115
1105 0534	CLAMP	29 - 102
1105 0534	CLAMP	43 - 109
1105 0534	CLAMP	67 - 110
1105 0534	CLAMP	69 - 110
1105 0551	CLAMP:LES-0505	11 - 107
1105 0551	CLAMP:LES-0505	27 - 106

